

**Instruction Sheet  
for the PASCO  
Model OS-8526A**

# X-Y ADJUSTABLE DIODE LASER

## Introduction

The X-Y Adjustable Diode Laser allows users to easily incorporate laser light into a wide variety of laboratory experiments. Designed to be mounted on a rod stand, the X-Y Adjustable Diode Laser can rotate 360° allowing the user to set up the unit in virtually any position.

## Equipment

- X-Y Adjustable Diode Laser.
- 9VDC adapter

### Additional equipment recommended:

- PASCO ME-8735 Large Rod Stand
- PASCO ME-8738 (90 cm) or ME-8741 (120cm) support rod

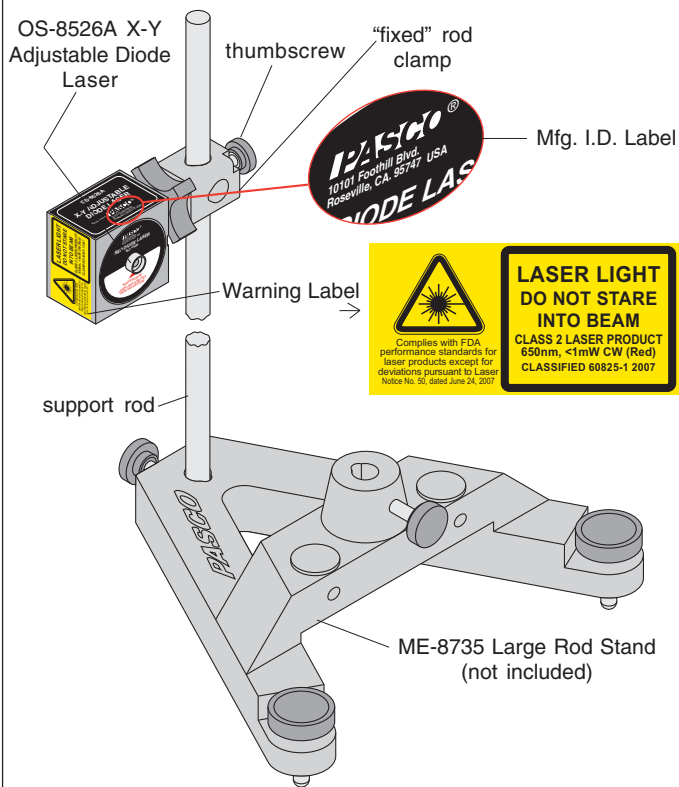
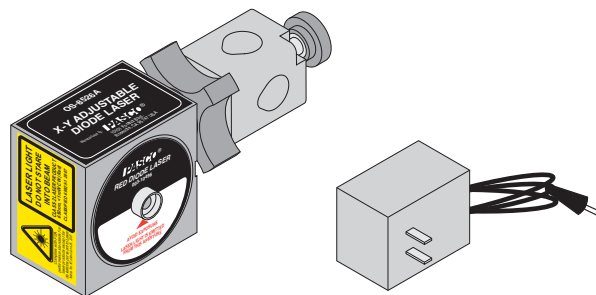
### Replacement parts:

Description	PASCO part no.
thumbscrew assembly	617-016

### Specifications:

Wavelength	650 nm
Laser Power for classification	<1 mW
Divergence	<2 mrd
Beam Diameter at aperture:	3 mm

- **CAUTION** - use of controls or adjustments or performance of procedures other than those specified herein may result in hazardous radiation exposure.
- LASER LIGHT - DO NOT STARE INTO BEAM.
  - CLASS 2 LASER PRODUCT
  - This Laser Product is designated as Class 2 during all procedures of operation.
  - Do not point the laser or allow the laser to be directed or reflected toward people or animals.



**Figure 1: Setting Up the OS-8526A  
X-Y Adjustable Diode Laser**

## Assembly

- ① Attach the “fixed” rod clamp, with the locking knob permanently affixed, to a base rod up to 1/2” (12.5 mm) in diameter. See Figure 1.

- ② Secure the rod clamp in place with the thumb-screw.
- ③ Loosen the locking knob and rotate the laser diode assembly into the desired position. See Figure 2.

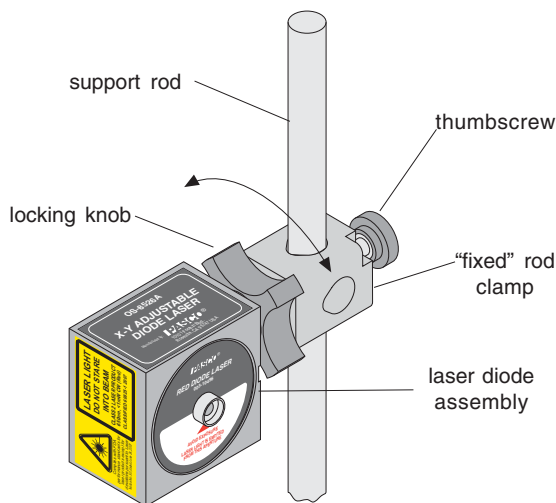


Figure 2: X-Y Adjustable Diode Laser Alignment

- ④ Tighten the locking knob against the laser diode housing until secure.
- ⑤ Plug the 9VDC adapter phone plug into the back of the laser and turn on the laser.
- ⑥ If necessary, adjust the direction of the laser beam from left-to-right and up-and down until the beam is in desired position. See Figure 3.

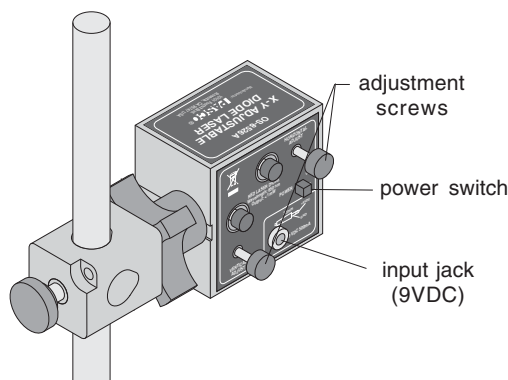


Figure 3: Laser Beam Fine Adjustment

## Technical Support

For assistance with any PASCO product, contact PASCO at:

- Address: PASCO scientific  
10101 Foothills Blvd.  
Roseville, CA 95747-7100
- Phone: 916-786-3800 (worldwide)  
800-772-8700 (U.S.)
- Fax: (916) 786-7565
- Web: www.pasco.com
- Email: support@pasco.com

## Limited Warranty

For a description of the product warranty, see the PASCO catalog.

► **NOTE:** NO service or maintenance is allowed, on this product, by the customer. Return unit to the factory for service or repair. Unit is NOT to be opened or modified by the Customer

## Copyright

The PASCO scientific OS-8528A Diode Laser is copyrighted with all rights reserved. Permission is granted to non-profit educational institutions for reproduction of any part of this manual, providing the reproductions are used only in their laboratories and classrooms, and are not sold for profit. Reproduction under any other circumstances, without the written consent of PASCO scientific, is prohibited.

## Trademarks

PASCO and PASCO scientific are trademarks or registered trademarks of PASCO scientific, in the United States and/or in other countries. All other brands, products, or service names are or may be trademarks or service marks of, and are used to identify, products or services of, their respective owners. For more information visit [www.pasco.com/legal](http://www.pasco.com/legal).