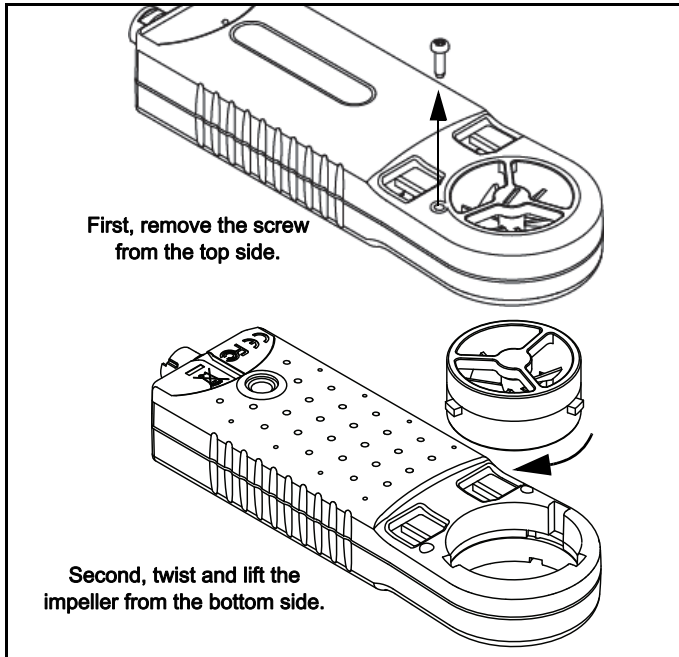


Impeller, Weather/Anemometer

PS-9879



slots in the bottom enclosure. Pull the impeller out.

Installing the Replacement Impeller

Note the orientation of the tabs on the replacement impeller module. Position the new impeller as shown, insert it into the bottom side of the sensor and rotate it counterclockwise until it stops. Secure the impeller in position with the small screw on the top side of the case. Do not use adhesive on this product.

Technical Support

For assistance with any PASCO product, contact PASCO at:

Address: PASCO scientific
10101 Foothills Blvd.
Roseville, CA 95747-7100

Phone: 916-462-8384 (worldwide)
800-772-8700 (U.S.)

Web: www.pasco.com

Email: support@pasco.com

Limited Warranty

For a description of the product warranty, see the PASCO catalog.

Copyright

The PASCO scientific 012-12281B *Weather/Anemometer Sensor Instruction Sheet* is copyrighted with all rights reserved. Permission is granted to non-profit educational institutions for reproduction of any part of this manual, providing the reproductions are used only in their laboratories and classrooms, and are not sold for profit. Reproduction under any other circumstances, without the written consent of PASCO scientific, is prohibited.

Trademarks

PASCO and PASCO scientific are trademarks or registered trademarks of PASCO scientific, in the United States and/or in other countries. All other brands, products, or service names are or may be trademarks or service marks of, and are used to identify, products or services of, their respective owners. For more information visit www.pasco.com/legal.

Included Equipment	Part Number
Weather/Anemometer Impeller	PS-9879
Extra Impeller Screw	Part of PS-9879

Scope

This instruction sheet describes the installation of a replacement Impeller for the PS-2174 Weather/Anemometer Sensor.

Instructions

Replacing Worn out Impeller

First, uninstall the worn out impeller. To do this, remove the screw on the top of the sensor case at the edge of the impeller using a small (#0 or #1) phillips screwdriver. On the bottom of the sensor, turn the impeller clockwise until the tabs on the edge of the impeller align with the