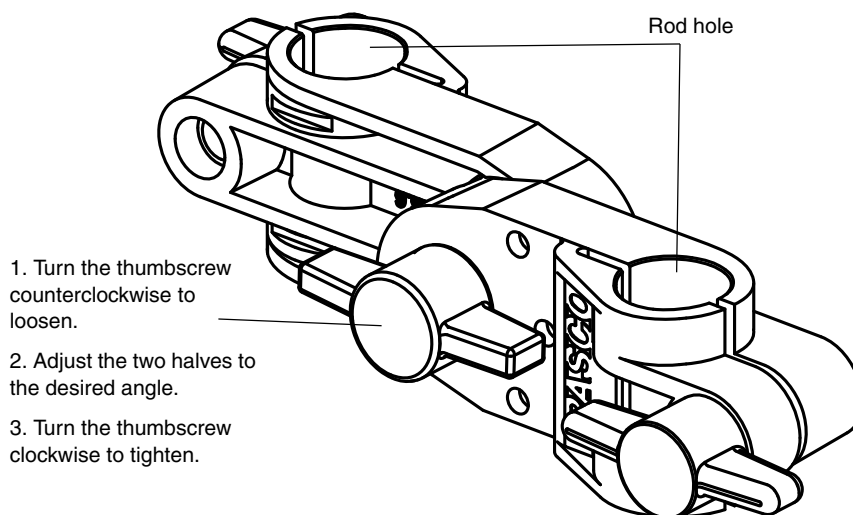




# Swivel Clamp

## ME-8743



## Introduction

The ME-8743 Swivel Clamp is designed to hold two support rods up to 12.7 mm in diameter. The clamp can hold the rods at an angle relative to each other.

See the PASCO catalog or visit the web site at [www.pasco.com](http://www.pasco.com) for information about support rods, bases, and other clamps.

### Included:

Swivel Clamp (set of 2)

### Recommended:

	Model
120 cm Stainless Steel Rod	ME-8741
90 cm Stainless Steel Rod	ME-8738
45 cm Stainless Steel Rod	ME-8736
Large Rod Base	ME-8735
Small "A" Base	ME-8976

## Operation

The swivel clamp has three thumbscrews. Loosen or tighten the thumbscrews at either end to adjust and hold support rods.

- Turn the center thumbscrew counterclockwise to loosen it.
- Adjust the two halves of the clamp to the desired angle.
- Turn the center thumbscrew clockwise to tighten it.

## Usage

Use three Swivel Clamps and three rods of equal length to form an equilateral triangle.

Use two Swivel Clamps to join two shorter rods into a longer rod.

## Technical Support

For assistance with any PASCO product, contact PASCO at:

Address: PASCO scientific  
10101 Foothills Blvd.  
Roseville, CA 95747-7100

Phone: 916-786-3800 (worldwide)  
800-772-8700 (U.S.)

Fax: (916) 786-7565

Web: [www.pasco.com](http://www.pasco.com)

Email: [support@pasco.com](mailto:support@pasco.com)

For more information about the Swivel Clamp and the latest revision of this Instruction Manual, visit:

[www.pasco.com/go?ME-8743](http://www.pasco.com/go?ME-8743)

**Limited Warranty** For a description of the product warranty, see the PASCO catalog.

**Copyright** The PASCO scientific 012-11085A *Swivel Clamp Instruction Manual* is copyrighted with all rights reserved. Permission is granted to non-profit educational institutions for reproduction of any part of this manual, providing the reproductions are used only in their laboratories and classrooms, and are not sold for profit. Reproduction under any other circumstances, without the written consent of PASCO scientific, is prohibited.

**Trademarks** PASCO and PASCO scientific are trademarks or registered trademarks of PASCO scientific, in the United States and/or in other countries. All other brands, products, or service names are or may be trademarks or service marks of, and are used to identify, products or services of their respective owners. For more information visit [www.pasco.com/legal](http://www.pasco.com/legal).