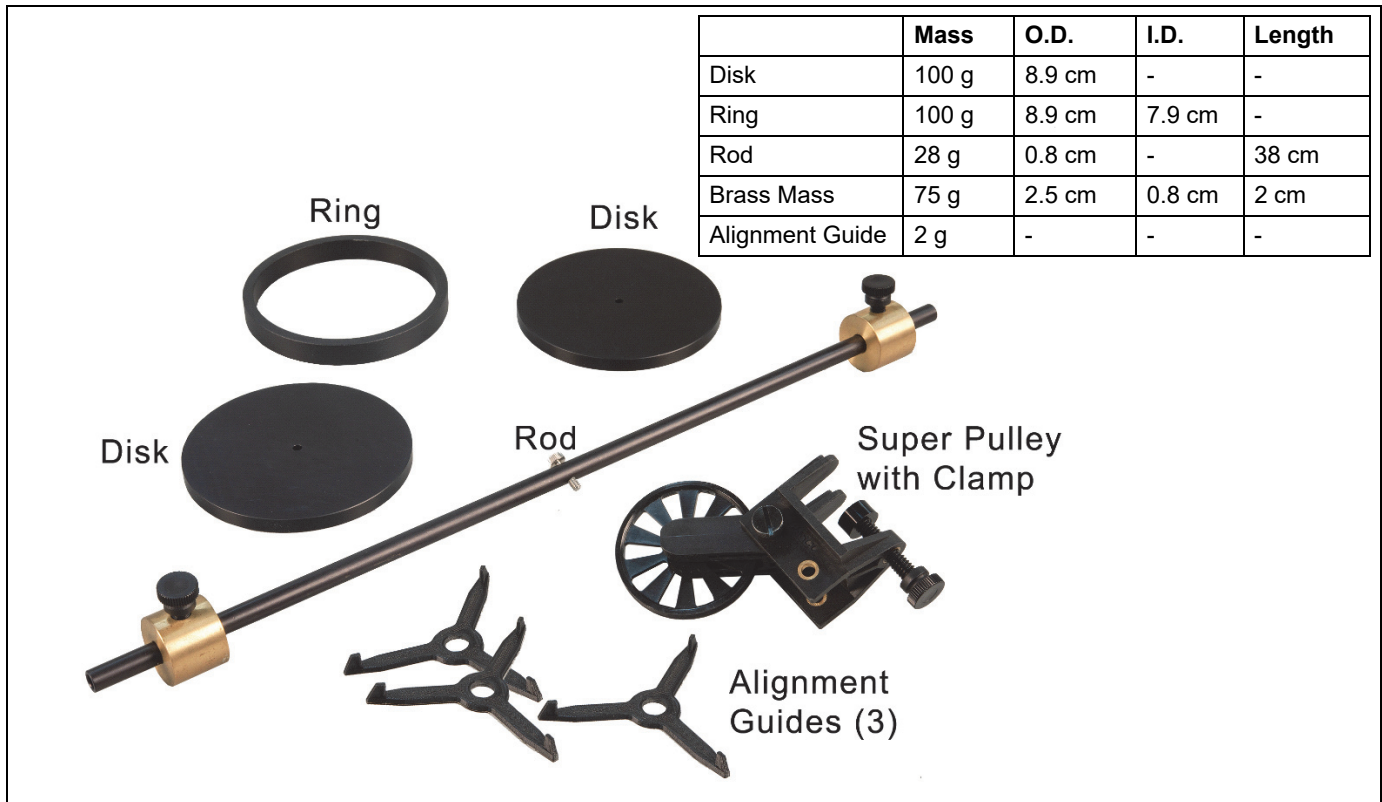


Rotational Inertia Accessory Kit

ME-3420



Introduction

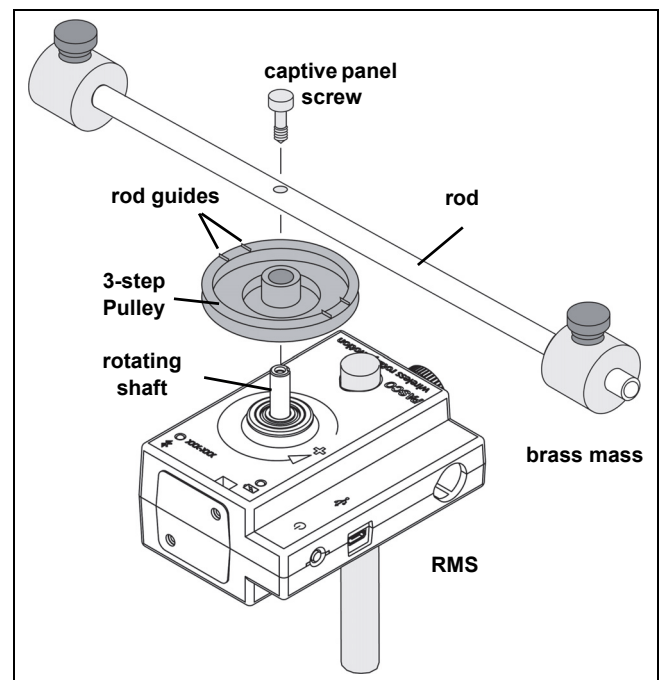
The PASCO ME-3420 Rotational Inertia Accessory Kit is designed for use with any PASCO Rotary Motion Sensor (RMS)(CI-6538, PS-2120A, or PS-3220) to perform rotational inertia, conservation of angular momentum, and pendulum experiments. Included are two aluminum disks, a steel ring, 3 alignment guides, and a long thin rod and two brass masses which can be attached at any point on the thin rod to act as point masses.

Please refer to the instruction manual supplied with the Rotary Motion Sensor or the Wireless Rotary Motion Sensor for a detailed description of experiments using the Rotational Inertia Accessory Kit.

Attaching the Rod

To attach the rod to the RMS, it is necessary to turn the 3-step Pulley so the rod guides on the underside of the pulley face up. The 3-step Pulley and the rotating shaft on the

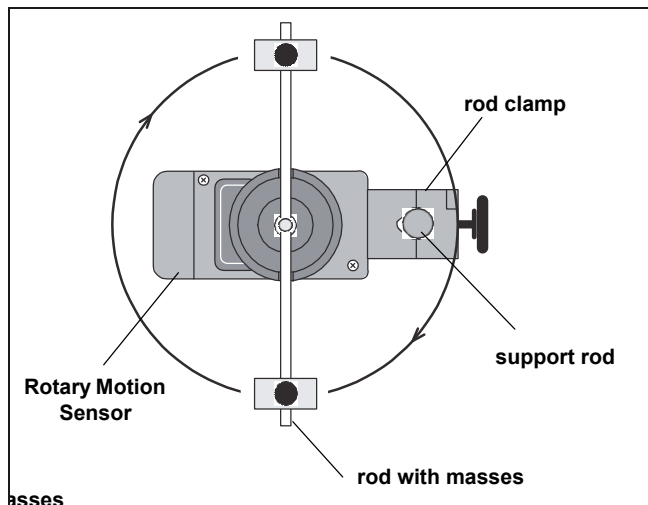
RMS are keyed to assemble only in one position. Assemble the apparatus as illustrated.



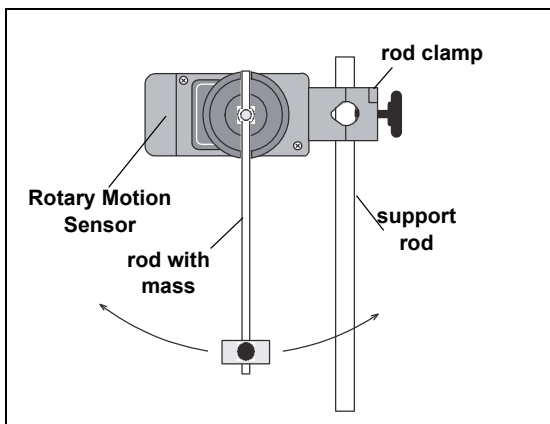
Using the Rod

The rod can be used for two purposes:

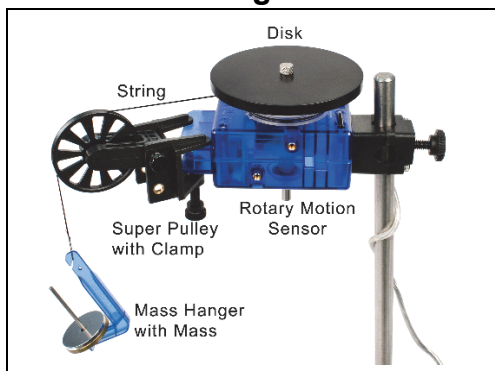
The center of the rod can be attached to the shaft of the Rotary Motion Sensor and used with the point masses to find the rotational inertia of point masses.



The end of the rod can be attached to the Rotary Motion Sensor shaft to use it as a pendulum.

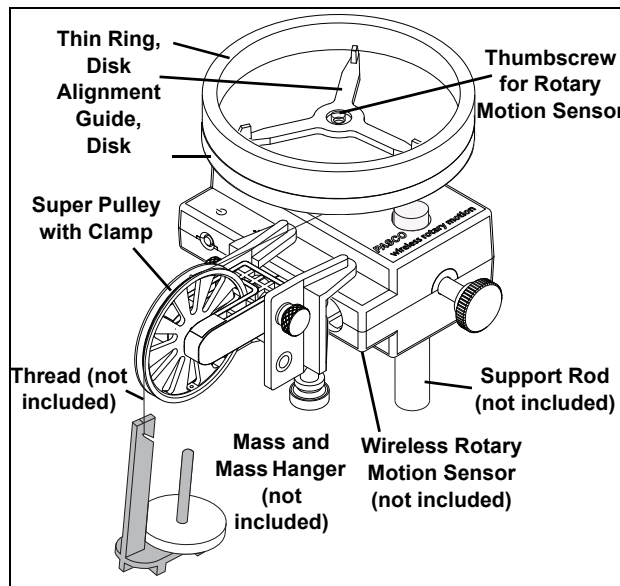


Using the Disk and Ring



For rotational inertia experiments, wrap a string attached to a mass around the 3-step Pulley included with the Rotary

Motion Sensor. Hang the mass over the Super Pulley to accelerate the apparatus.



To perform a conservation of angular momentum experiment by dropping the ring onto the rotating disk, first install an Alignment Guide and the disk on the Rotary Motion Sensor, securing them with the screw. When the ring is dropped onto the disk, the Alignment Guide will center the ring on the disk.

Technical Support

For assistance with any PASCO product, contact PASCO at:

Address: PASCO scientific
 10101 Foothills Blvd.
 Roseville, CA 95747-7100
 Phone: +1 916 462 8384 (worldwide)
 8700-772-8700 (U.S.)
 Web: www.pasco.com
 Email: support@pasco.com

Limited Warranty

For a description of the product warranty, see the PASCO catalog. For more information visit www.pasco.com/legal.

Copyright

This PASCO scientific *Instruction Sheet* is copyrighted with all rights reserved. Permission is granted to non-profit educational institutions for reproduction of any part of this manual, providing the reproductions are used only in their laboratories and classrooms, and are not sold for profit. Reproduction under any other circumstances, without the written consent of PASCO scientific, is prohibited. (Revised 19/02/01)

Trademarks

PASCO, PASCO scientific, PASCO Capstone, and SPARKvue are trademarks or registered trademarks of PASCO scientific, in the United States and/or in other countries. All other brands, products, or service names are or may be trademarks or service marks of, and are used to identify, products or services of their respective owners. For more information visit www.pasco.com/legal.