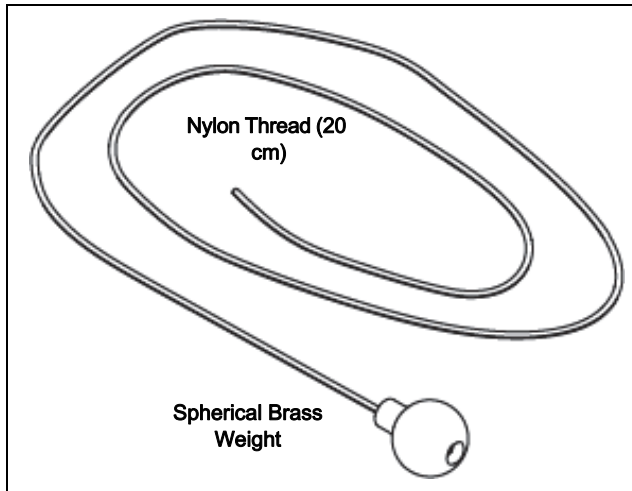


# Replacement Plumb Bobs (24)

ME-9868A



## Introduction

Each Replacement Plumb Bob consists of a spherical brass weight attached to a length of nylon thread approximately 20 cm (8 in) long. Twenty-four of the plumb bobs are individually packaged in a bag. The Replacement Plumb Bob is designed to be used with the PASCO products that come with a plumb bob. These include the following:

- ME-6800 Projectile Launcher
- ME-6825B Mini Launcher
- ME-9495A Angle Indicator
- Inclined Plane Assembly (part of ME-9505 Statics Components Package)

(Check the PASCO web site at:

[www.pasco.com](http://www.pasco.com)

for future products that have a plumb bob.)

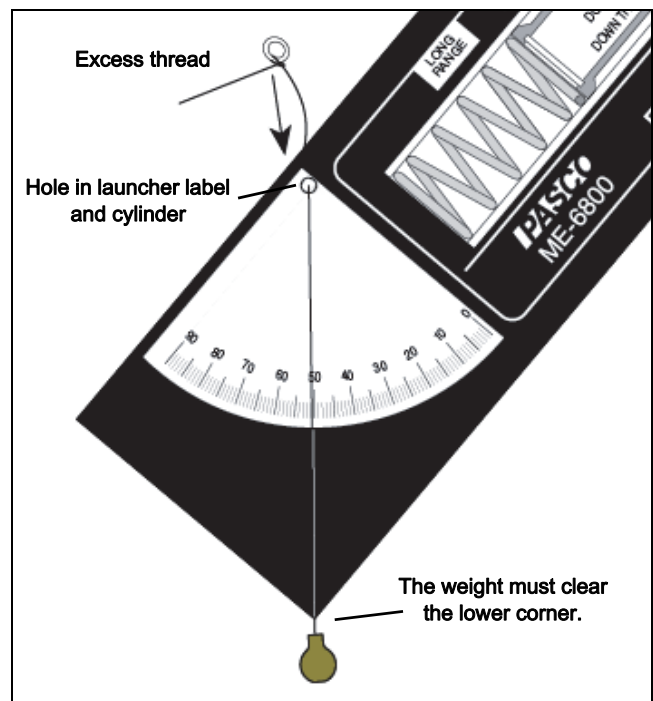
Also included with the Replacement Plumb Bobs are twenty-four small washers that let you attach the thread of the plumb bob to the ME-6800 Projectile

Launcher more easily. The other products have their own built-in, easy-to-use devices for attaching the thread.

## Usage

### Projectile Launcher (ME-6800)

1. Feed the thread from the front of the launcher through the hole in the label and the launcher cylinder.
2. Tie the thread loosely one time around a washer.
3. Hold the free end of the thread. Pull the washer so it is against the launcher cylinder and adjust the thread length so that the brass weight can just swing past the label corner.

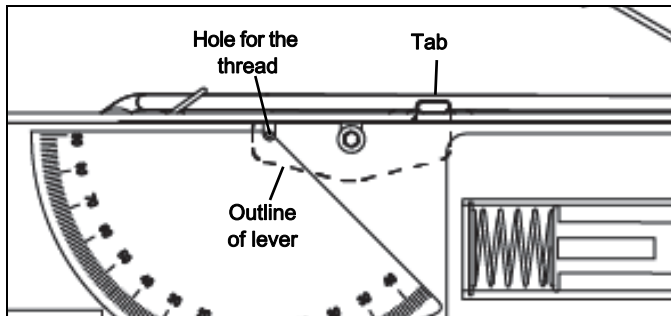


NOTE: The weight must be able to swing past the lower corner of the launcher in all orientations.

- Secure the thread with a double or triple knot to the washer. Be careful not to change the length of the thread. Trim any excess thread above the washer.

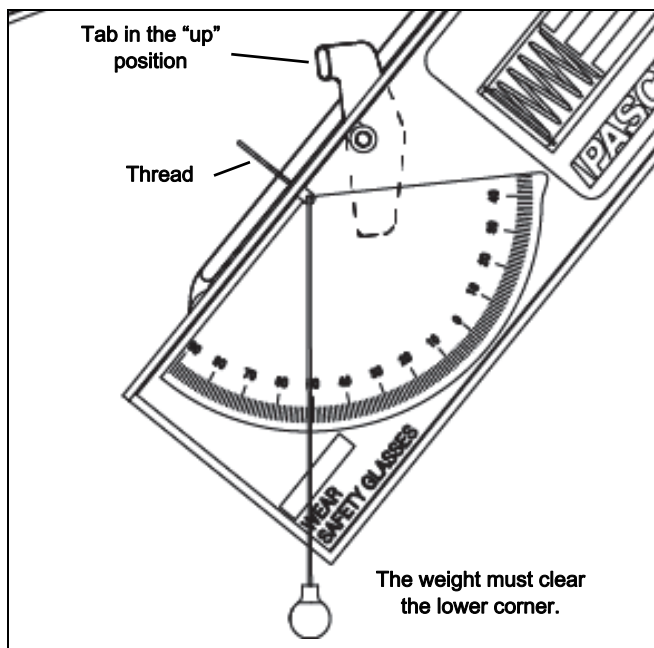
### Mini Launcher (ME-6825B)

The plumb bob thread is held in place by a lever at the top of the cylinder on the Mini Launcher. The lever has a tab at one end. The outline of the lever is shown as a dashed line in the illustration.



Pull the tab upward so that the lever is in the “up” position. Put the end of the plumb bob thread through the hole in the label and cylinder. **NOTE:** Arrange the thread so that the brass weight can just swing by the lower corner of the launcher in all orientations.

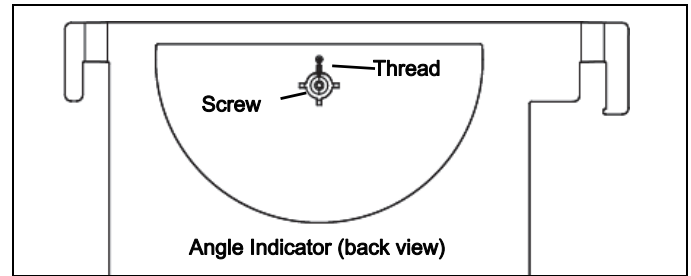
Push the tab down so that the lever holds the thread in place. Trim the excess thread.



**NOTE:** Use the same procedure as described for the Projectile Launcher to attach a plumb bob to older model Mini Launchers that do not have the lever.

### Angle Indicator (ME-9495A)

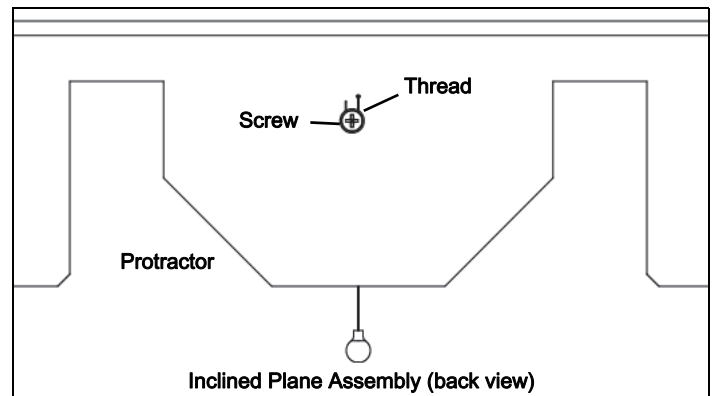
The thread that supports the spherical weight is attached to the back of the Angle Indicator with a screw.



Put the thread through the hole on the front of the label. Make sure that the brass weight can swing just below the label. Loosen the screw and wrap the thread around the screw. Tighten the screw to hold the thread in place.

### Inclined Plane Assembly (Part of ME-9505 Statics Components Package)

The plumb bob on the Inclined Plane Assembly can be replaced using the same procedure as for the Angle Indicator. The thread that supports the spherical weight is attached to the back of the Inclined Plane with a screw.



Put the thread through the hole on the front. Make sure that the brass weight can swing below each part of the protractor. Loosen the screw and wrap the thread around the screw. Tighten the screw to hold the thread in place.

### Replacement Products

In addition to the ME-9868A Replacement Plumb Bobs package, there are other replacement products that include the plumb bobs (24 each).

- ME-6802 Launcher Spares Kit

- ME-6824 Mini Launcher Spares Kit

See the PASCO web site at

**[www.pasco.com](http://www.pasco.com)**

for the specific information about what is included in the spares kits.

## Technical Support

For assistance with any PASCO product, contact PASCO at:

**Address:** PASCO scientific  
10101 Foothills Blvd.  
Roseville, CA 95747-7100

**Phone:** 916-462-8384 (worldwide)  
800-772-8700 (U.S)

**Email:** [techsupp@pasco.com](mailto:techsupp@pasco.com)

**Web:** [www.pasco.com/support](http://www.pasco.com/support)

### Limited Warranty

For a description of the product warranty, see the PASCO web site.

### Copyright

This PASCO scientific *Reference Guide* is copyrighted with all rights reserved. Permission is granted to non-profit educational institutions for reproduction of any part of this manual, providing the reproductions are used only in their laboratories and classrooms, and are not sold for profit. Reproduction under any other circumstances, without the written consent of PASCO scientific, is prohibited. Rev: 12/17

### Trademarks

PASCO, PASCO scientific, PASCO Capstone, PASPORT and SPARKvue are trademarks or registered trademarks of PASCO scientific, in the United States and/or in other countries. All other brands, products, or service names are or may be trademarks or service marks of, and are used to identify, products or services of, their respective owners. For more information visit [www.pasco.com/legal](http://www.pasco.com/legal).