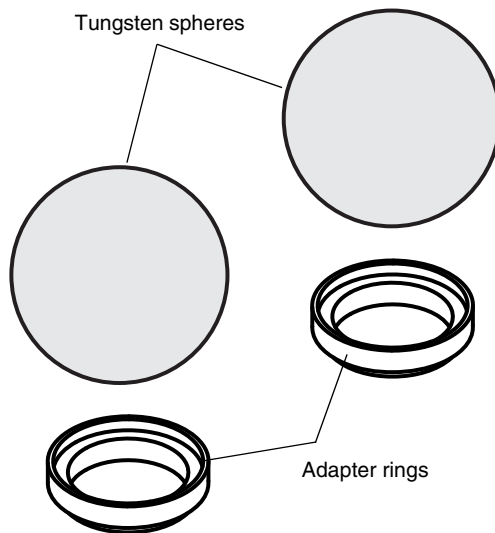




Replacement Gravity Balls

AP-8219



Introduction

The AP-8219 Replacement Gravity Balls set is designed to replace the large lead masses in the AP-8215 Gravitational Torsion Balance.

The Replacement Gravity Balls set consists of two large tungsten spheres (1.5 kilogram each), and two adapter rings. The rings allow the tungsten spheres to rest on the Large Mass Swivel Support of the Gravitational Torsion Balance (see Figure 1).

Included:

- Large Mass, Gravitational Torsion Balance (2)
- Adapter Ring (2)

Required:

	Model
Gravitational Torsion Balance	AP-8215

The tungsten Large Mass has a radius of 27.6 millimeters. This value is used in the calculation of G , the universal gravitational constant.

Assembly

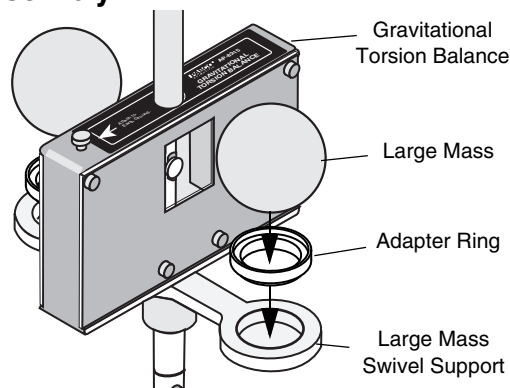


Figure 1: Large Mass and Adapter Ring

Place an Adapter Ring into the hole at one end of the Large Mass Swivel Support on the Gravitational Torsion Balance. Repeat for the other adapter ring. Carefully place the Large Masses onto the Adapter Rings on both ends of the Large Mass Swivel Support.

The Adapter Ring allows the center of mass of the Large Mass to be in alignment with the center of mass of the Small Mass that is inside the Gravitational Torsion Balance case.

See the Instruction Manual for the AP-8215 Gravitational Torsion Balance for information about setting up and using the balance.

Safety Precaution

The large masses are made of tungsten and are not toxic. However, be careful not to drop a large mass.

Technical Support

For assistance with any PASCO product, contact PASCO at:

Address: PASCO scientific
10101 Foothills Blvd.
Roseville, CA 95747-7100

Phone: 916-786-3800 (worldwide)
800-772-8700 (U.S.)

Fax: (916) 786-7565

Web: www.pasco.com

Email: support@pasco.com

For more information about the Replacement Gravity Balls and the latest revision of this Instruction Manual, visit:

www.pasco.com/go?AP-8219

Limited Warranty For a description of the product warranty, see the PASCO catalog.

Copyright The PASCO scientific 012-11233A *Replacement Gravity Balls Instruction Manual* is copyrighted with all rights reserved. Permission is granted to non-profit educational institutions for reproduction of any part of this manual, providing the reproductions are used only in their laboratories and classrooms, and are not sold for profit. Reproduction under any other circumstances, without the written consent of PASCO scientific, is prohibited.

Trademarks PASCO and PASCO scientific are trademarks or registered trademarks of PASCO scientific, in the United States and/or in other countries. All other brands, products, or service names are or may be trademarks or service marks of, and are used to identify, products or services of their respective owners. For more information visit www.pasco.com/legal.