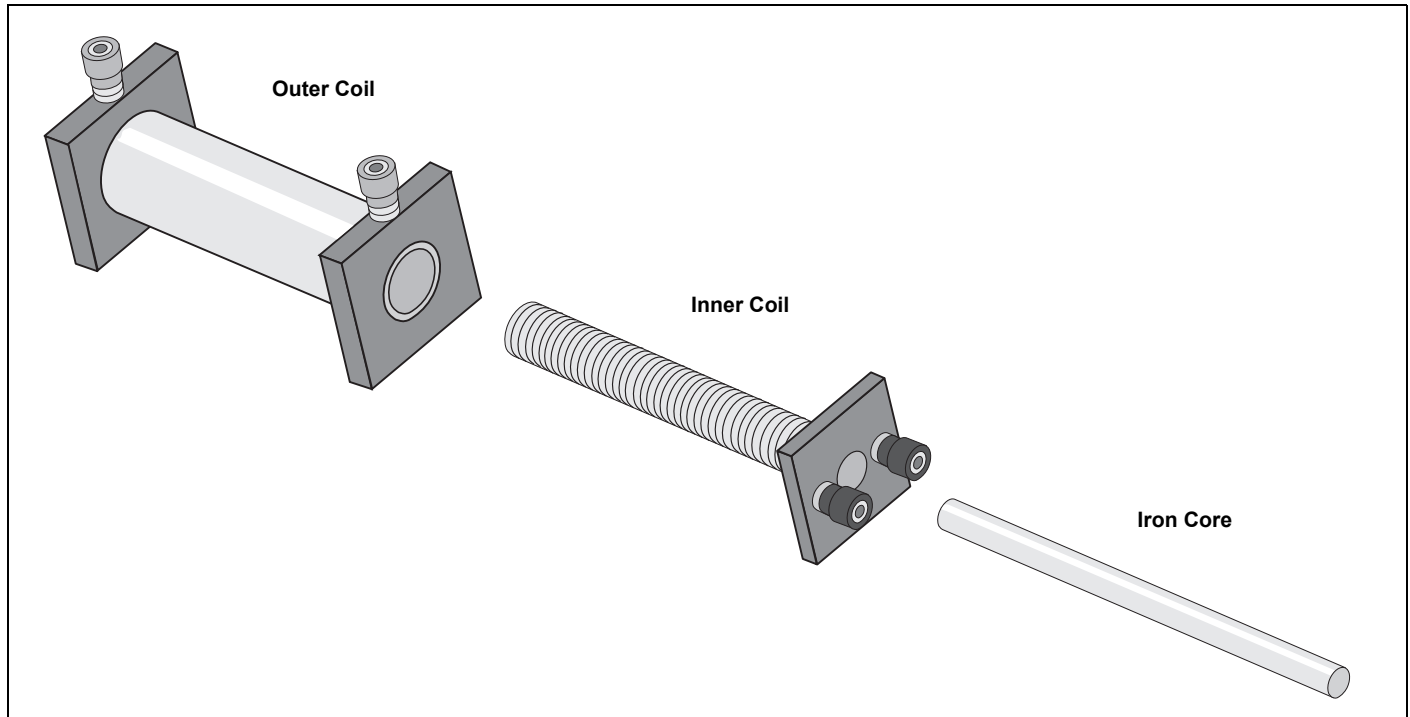


Primary and Secondary Coils

SE-8653A



Introduction

The PASCO Primary and Secondary Coils set consists of an outer coil, an inner coil, and a soft iron core. The coils and core may be used to investigate and perform experiments in electro-magnetism, inductive reactance, and transformer coupling. Two way binding posts are used in the coils for convenient connection.



Hazardous voltage and currents capable of producing injury can be produced by improper use of the Primary and Secondary Coil set. This apparatus should only be used under the supervision of experienced, trained personnel.

The Primary and Secondary Coils must never be used in a configuration which uses a voltage to be produced in excess of 30V r.m.s. 42.4V peak or 60V d.c. Never connect the Primary and Secondary Coils to the AC power mains.

Specifications

Inner Coil: 235 turns, #18 wire approx. 1 mm, inductance: 78 ± 22 mH, resistance: $0.4 \pm 0.1 \Omega$, capacitance: 142 ± 2 pF.

Dimensions: 12 cm coil length X 1.7 cm coil outside diameter.

Base: 5 cm X 5 cm.

Outer Coil: 2920 turns, #29 wire: approx. 0.29 mm, inductance: 63 ± 3 mH, resistance: $76 \pm 2 \Omega$, capacitance: 124 ± 2 pF.

Dimensions: 11 cm coil length X 3.5 cm coil outside diameter.

Base: 5 cm X 5 cm.

Core: 16.5 cm X 0.8 cm.

Ratio of turns: 12.4:1.

Ratio of voltage: approximately 10:1.

Technical Support

For assistance with any PASCO product, contact PASCO at:

Address: PASCO scientific
10101 Foothills Blvd.
Roseville, CA 95747-7100

Phone: +1 916 462 8384 (worldwide)
8700-772-8700 (U.S.)

Web: www.pasco.com

Email: support@pasco.com

This manual will be updated periodically. For the latest revision of this manual, visit the PASCO Web site at

www.pasco.com/manuals

and enter the product number, SE-8653A, in the text window.

Replacement Parts

For information about possible replacement parts, contact Technical Support:

Limited Warranty

For a description of the product warranty, see the PASCO catalog. For more information visit www.pasco.com/legal.

Copyright

This PASCO scientific *Instruction Sheet* is copyrighted with all rights reserved. Permission is granted to non-profit educational institutions for reproduction of any part of this manual, providing the reproductions are used only in their laboratories and classrooms, and are not sold for profit. Reproduction under any other circumstances, without the written consent of PASCO scientific, is prohibited. Revised 06/01/18.

Trademarks

PASCO and PASCO scientific are trademarks or registered trademarks of PASCO scientific, in the United States and/or in other countries. All other brands, products, or service names are or may be trademarks or service marks of, and are used to identify, products or services of their respective owners. For more information visit www.pasco.com/legal.