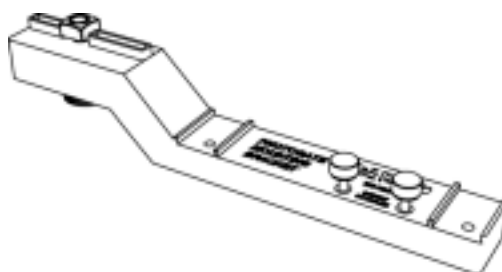


Photogate Mounting Bracket

ME-6821A



Additional Equipment Required:	Part Number
Projectile Launcher	ME-6800, ME-6801 or ME-6823
(2) Photogate Heads	ME-9498A

Additional Equipment Recommended:	Part Number
Shoot-the-Target Accessory	ME-6805
Time-of-Flight Accessory	ME-6810

- Align the bracket assembly with the front of the Projectile Launcher and slide the alignment key down the groove of the barrel.

NOTE: The flat side of the square nut must face the inside of the projectile launcher groove as shown.

- Slide the Photogate Mounting Bracket to the desired position and tighten the thumbscrew to secure.
- Unscrew the small rod clamp from the Photogate Head. (Save the clamp and its 6-32 x 5/8" thumbscrew for later use.)
- Attach each Photogate Head to the Mounting Bracket with one of the 6-32 x 3/4" thumbscrews included with the bracket assembly.)

Introduction

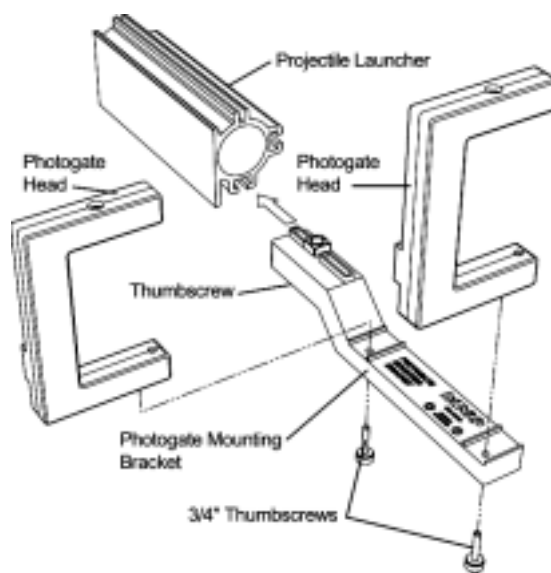
The PASCO Model ME-6821 Photogate Mounting Bracket is designed for use as an accessory to the PASCO Projectile Launcher. It attaches to the front of the launcher and holds one or two photogates in parallel.

Experiments

Please refer to the experiment guide that comes with the applicable PASCO equipment for specific experiments.

Setup procedure

- Loosen the thumbscrew of the Photogate Mounting Bracket.



Technical Support

For assistance with any PASCO product, contact PASCO at:

Address: PASCO scientific
10101 Foothills Blvd.
Roseville, CA 95747-7100

Phone: 916-786-3800 (worldwide)
800-772-8700 (U.S)

Fax: (916) 786-3292

Web: www.pasco.com

Email: support@pasco.com

Limited Warranty

For a description of the product warranty, see the PASCO catalog.

Copyright

The PASCO scientific 012-05013D *Photogate Mounting Bracket Instruction Sheet* is copyrighted with all rights reserved. Permission is granted to non-profit educational institutions for reproduction of any part of this manual, providing the reproductions are used only in their laboratories and classrooms, and are not sold for profit. Reproduction under any other circumstances, without the written consent of PASCO scientific, is prohibited.

Trademarks

PASCO, PASCO scientific, DataStudio, PASPORT, and ScienceWorkshop are trademarks or registered trademarks of PASCO scientific, in the United States and/or in other countries. All other brands, products, or service names are or may be trademarks or service marks of, and are used to identify, products or services of, their respective owners. For more information visit www.pasco.com/legal.