

**Instruction Sheet
for the PASCO
Model OS-8522**

LENS HOLDER SET (2)

Introduction

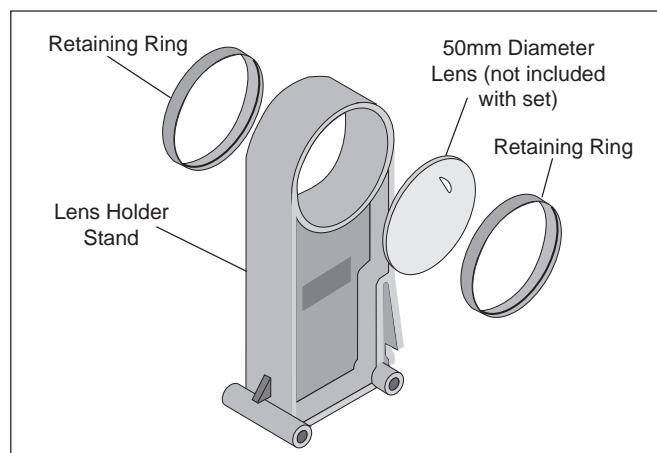


Figure: Equipment included in OS-8522

The Basic Optics Lens Holder is designed for use with the optics bench included in models OS-8515, Basic Optics System, and OS-8518, Geometric Optics Kit. The Lens Holder is a reusable holder which easily mounts any 50 mm diameter optics up to 7 mm thickness at the outer edge. The Lens Holder can also be used as a free standing holder making it adaptable for use with other optics systems.

Equipment

The OS-8522 Lens Holder Set includes:

- Molded Plastic Lens Holder with Locking Clip and Position Indicator (2)
- Retaining Rings (4)

Additional Equipment Required

Any 50 mm diameter optics (lenses, mirrors etc.) such as the SE-9013 Ground Glass Lens Set.

Optic Installation and Removal

Installation:

- ① Carefully slide one of the Retaining Rings, lip toward the outside of the Holder, into the Lens Mount. Be sure to position the Retaining Ring so that the optical center of the optic you install will be centered in the Lens Holder. The center of the Lens Holder is marked solid line.
- ② Turn the holder so the side with the retaining clip points downward.
- ③ Slide the optic into the holder so it is seated against the retaining clip.
- ④ Slide the second Retaining Ring, lip toward the outside of the Holder, into the Lens Mount until it is seated firmly against the optic.

Removal:

- ① Lay a piece of lens paper over the optic to be removed.
- ② Gently push against the optic until the optic and one Retaining Ring slide out of the Lens Holder

Using the Lens Holder Set

For use with the Basic Optics Bench, simply snap the holder into place on the bench. To move the lens holder along the bench, grasp the holder at its base, squeeze the locking clip and slide the holder along the bench. When the locking clip is released the lens is held firmly in place. For accurate measuring a position indicator is located on the side of the lens holder. To remove the holder from the bench, squeeze the locking clip and lift the holder off the bench.

The Lens Holder can stand on any flat surface for use with other optics systems or for experiments not requiring an optics bench.

© 1995 PASCO scientific

This instruction sheet written/edited by: Mary Ellen Niedzielski

Copyright, Warranty and Equipment Return

Please—Feel free to duplicate this manual subject to the copyright restrictions below.

Copyright Notice

The PASCO scientific Model OS-8522 Lens Holder Set manual is copyrighted and all rights reserved. However, permission is granted to non-profit educational institutions for reproduction of any part of this manual providing the reproductions are used only for their laboratories and are not sold for profit. Reproduction under any other circumstances, without the written consent of PASCO scientific, is prohibited.

Limited Warranty

PASCO scientific warrants this product to be free from defects in materials and workmanship for a period of one year from the date of shipment to the customer. PASCO will repair or replace, at its option, any part of the product which is deemed to be defective in material or workmanship. This warranty does not cover damage to the product caused by abuse or improper use. Determination of whether a product failure is the result of a manufacturing defect or improper use by the customer shall be made solely by PASCO scientific. Responsibility for the return of equipment for warranty repair belongs to the customer. Equipment must be properly packed to prevent damage and shipped postage or freight prepaid. (Damage caused by improper packing of the equipment for return shipment will not be covered by the warranty.) Shipping costs for returning the equipment, after repair, will be paid by PASCO scientific.

Equipment Return

Should this product have to be returned to PASCO scientific, for whatever reason, notify PASCO scientific by letter or phone BEFORE returning the product. Upon notification, the return authorization and shipping instructions will be promptly issued.

► **NOTE:** NO EQUIPMENT WILL BE ACCEPTED FOR RETURN WITHOUT AN AUTHORIZATION.

When returning equipment for repair, the units must be packed properly. Carriers will not accept responsibility for damage caused by improper packing. To be certain the unit will not be damaged in shipment, observe the following rules:

- ① The carton must be strong enough for the item shipped.
- ② Make certain there is at least two inches of packing material between any point on the apparatus and the inside walls of the carton.
- ③ Make certain that the packing material can not shift in the box, or become compressed, thus letting the instrument come in contact with the edge of the box.

Address: PASCO scientific
10101 Foothills Blvd.
P.O. Box 619011
Roseville, CA 95678-9011

Phone: (916) 786-3800
FAX: (916) 786-8905