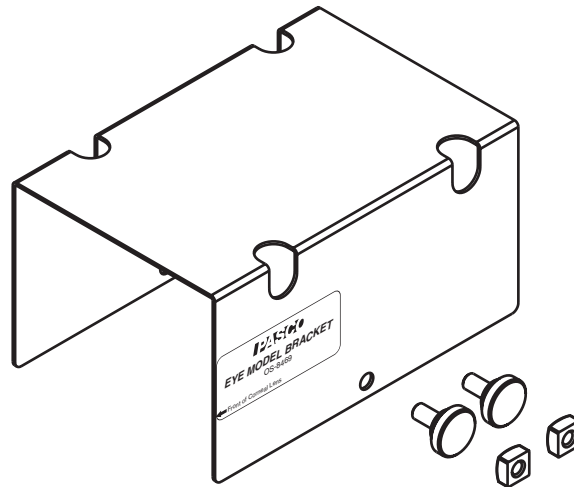
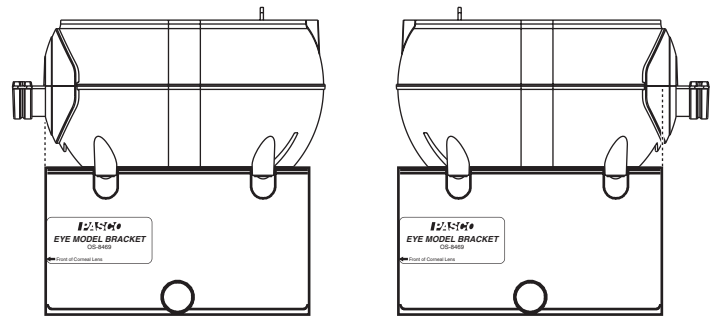


# Human Eye Model Bracket

OS-8469



Included Equipment	Part Number
Human Eye Model Bracket	OS-8469
Thumbscrews, 1/4-20 x 1/2-inch (qty. 2)	617-015
Square Nuts, 1/4-20 (qty. 2)	614-054
Other Equipment Required	
Human Eye Model	OS-8477
Basic Optics Bench	OS-8515A, OS-8541, or similar



Aligned the end with the Eye Model's corneal lens (left) or with the center of the lens system (right)

Use the OS-8469 Bracket to mount a Human Eye Model on a Basic Optics Bench. The Bracket aligns the optical axis of the Eye Model with other bench-mounted Basic Optics components such as lenses and light sources.

Place the Bracket on an optics bench and use the included nuts and thumbscrews to secure it to the bench's side T-slots. Place the Eye Model on the Bracket with the Eye Model's feet in the Bracket's cutouts.

The end of the Bracket is vertically aligned with the front of the Eye Model's corneal lens or with the center of its lens system, depending on how the Eye Model is oriented on the Bracket.

For assistance with any PASCO product, contact PASCO at:

Address: PASCO scientific  
10101 Foothills Blvd.  
Roseville, CA 95747-7100

Phone: 916-786-3800 (worldwide)  
800-772-8700 (U.S.)

Fax: (916) 786-3292

Web: [www.pasco.com](http://www.pasco.com)

Email: [support@pasco.com](mailto:support@pasco.com)

### Limited Warranty

For a description of the product warranty, see the PASCO catalog.

The PASCO scientific 012-09390A *Human Eye Model Bracket Instruction Sheet* is copyrighted with all rights reserved.