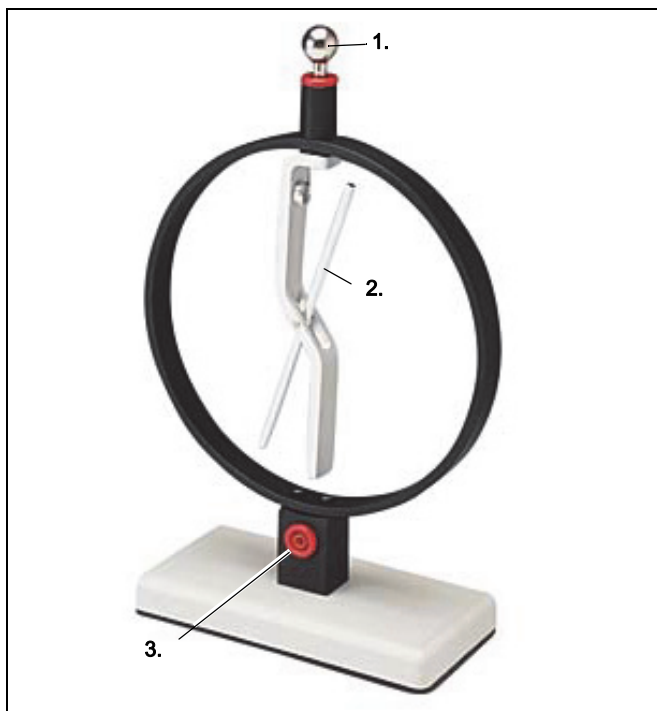


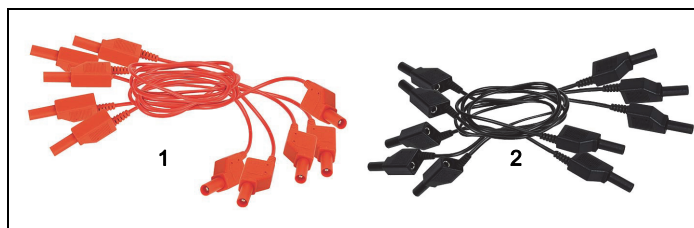
Electroscope

SF-9069



Additional Equipment Recommended

- Classic Electrostatic Materials Kit SF-9068
- Banana Plug Patch Cord



1. Shrouded Red Patch Cords
2. Shrouded Black Patch Cords

- Shrouded Red Patch Cords EM-9740
- Shrouded Black Patch Cords EM-9471

Check the PASCO Web page at

www.pasco.com

Hardware

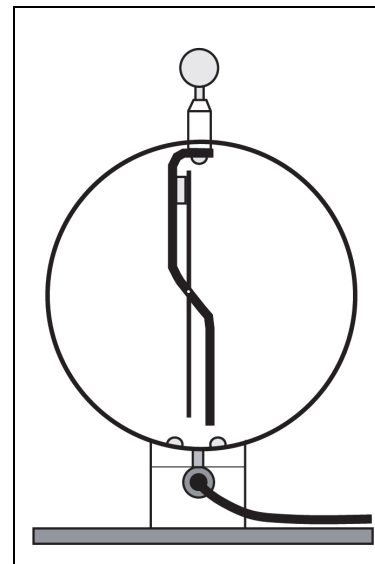
Item	Number
Charge Sampler	1
Conductive Rod	2
Grounding Port	3

Introduction

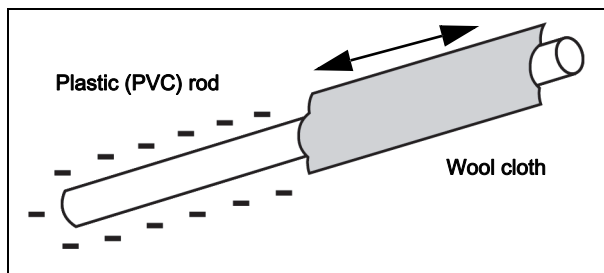
The SF-9069 Electroscope is used for detecting and demonstrating static electric charge. When the electroscope is charged, the lightweight conductive rod rotates to indicate the magnitude of the charge. The apparatus includes a Charge Sampler for transferring charge to the electroscope.

Setup and Operation

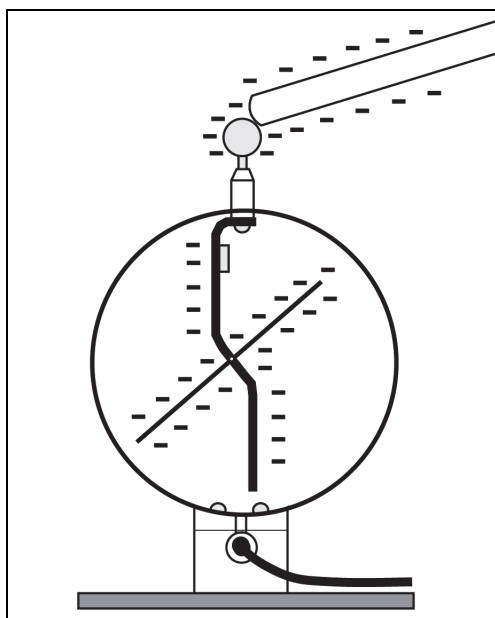
- Plug the Charge Sampler into the top of the Electroscope.
- Plug a patch cord into the Grounding Port on the base of the Electroscope. Connect the patch cord to something that is grounded.



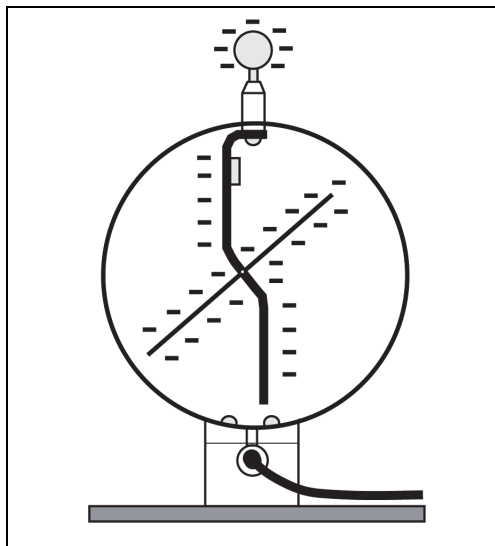
- Charge an object such as a PVC plastic rod by rubbing it vigorously with a wool cloth.



- Transfer the charge to the Electroscop by touching the Charge Sampler with the charged object.



- Remove the charged object and observe what happens to the Electroscop.



Grounding the Electroscop

NOTE: Discharge ("ground") the Electroscop by touching the Charge Sampler with your finger or with the end of a patch cord that is connected to ground.

Technical Support

For assistance with any PASCO product, contact PASCO at:

Address: PASCO scientific
10101 Foothills Blvd.
Roseville, CA 95747-7100

Phone: +1 916 462 8384 (worldwide)
8700-772-8700 (U.S.)

Web: www.pasco.com/support

Email: support@pasco.com

The Reference Guide will be updated periodically. For the latest revision of this Instruction Sheet, visit the PASCO Web site at

www.pasco.com/manuals

and enter the product number, SF-9069, in the text window.

Replacement Parts

For information about possible replacement parts, contact Technical Support:

Limited Warranty

For a description of the product warranty, see the PASCO catalog. For more information visit www.pasco.com/legal

Copyright

This PASCO scientific *Instruction Sheet* is copyrighted with all rights reserved. Permission is granted to non-profit educational institutions for reproduction of any part of this manual, providing the reproductions are used only in their laboratories and classrooms, and are not sold for profit. Reproduction under any other circumstances, without the written consent of PASCO scientific, is prohibited. Version 23-07-2016.

Trademarks

PASCO, PASCO scientific, PASCO Capstone, PASPORT, and SPARKvue are trademarks or registered trademarks of PASCO scientific, in the United States and/or in other countries. All other brands, products, or service names are or may be trademarks or service marks of, and are used to identify, products or services of their respective owners. For more information visit www.pasco.com/legal.