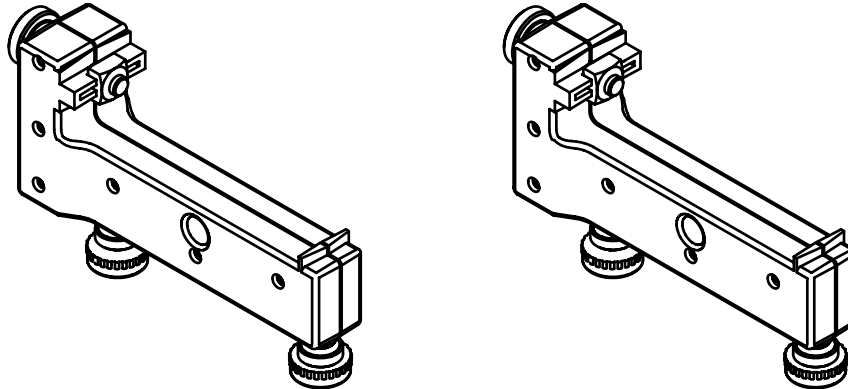


Adjustable Feet

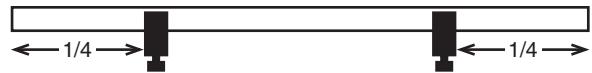
ME-8972



Introduction

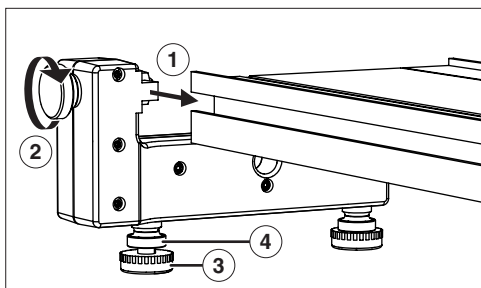
PASCO model ME-8972 consists of two feet sets for use with PASCO dynamics tracks. It is compatible with any aluminum PASCO track.

For maximum stability, position the feet about 1/4 of the track length from each end.



Installation

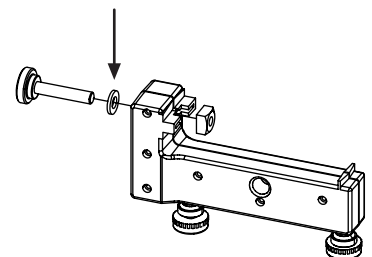
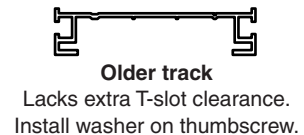
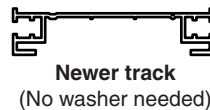
Attach each foot set to the T-slot on the side of the track as illustrated. Tighten the thumbscrew to hold the foot set in position. Turn the feet screws to level the track; then tighten the lock nuts to secure them.



1: Slide tab into T-slot on side of track. **2:** Tighten thumbscrew to secure foot set. **3:** Turn feet screws to level track. **4:** Tighten lock nuts to secure feet screws.

For Use with Older Tracks

If you have an older PASCO track (see illustration), install the included washers to prevent the thumbscrews from “bottoming out.”



Technical Support

For assistance with any PASCO product, contact PASCO at:

Address: PASCO scientific
10101 Foothills Blvd.
Roseville, CA 95747-7100

Phone: 916-786-3800 (worldwide)
800-772-8700 (U.S.)

Fax: (916) 786-7565

Web: www.pasco.com

Email: support@pasco.com

Limited Warranty

For a description of the product warranty, see the PASCO catalog.

Copyright

The PASCO scientific 012-09993A *Adjustable Feet Instruction Sheet* is copyrighted with all rights reserved. Permission is granted to non-profit educational institutions for reproduction of any part of this manual, providing the reproductions are used only in their laboratories and classrooms, and are not sold for profit. Reproduction under any other circumstances, without the written consent of PASCO scientific, is prohibited.

Trademarks

PASCO and PASCO scientific are trademarks or registered trademarks of PASCO scientific, in the United States and/or in other countries. All other brands, products, or service names are or may be trademarks or service marks of, and are used to identify, products or services of, their respective owners. For more information visit www.pasco.com/legal.