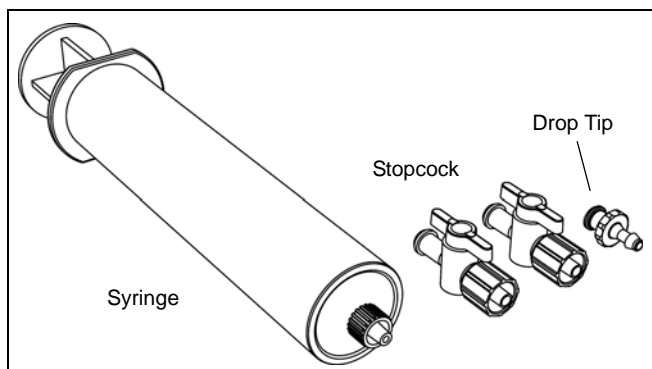


Drop Dispenser

PS-6935



| Included Items | Included Items |
|-----------------|----------------|
| Syringe (60 mL) | Stopcock (2) |
| Drop Tip | |

| Recommended* |
|------------------------|
| Drop Counter (PS-2117) |

| Other Recommended Items* |
|---------------------------------|
| Three-finger Clamp (SE-9445) |
| Support Rod and Stand (SE-9451) |

*See the PASCO catalog or the PASCO web site at www.pasco.com for more information

Introduction

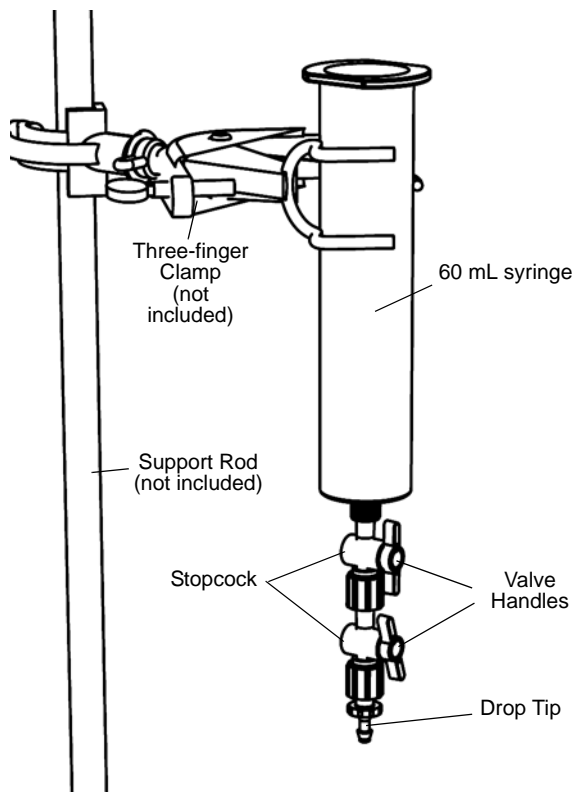
The PS-6935 Drop Dispenser consists of a 60 milliliter (mL) syringe, two stopcocks and a drop tip. The dispenser is designed to work independently as a buret or with the PS-2117 Drop Counter, which measures the number of drops of fluid that fall through the rectangular opening of the sensor. The Drop Dispenser can be set to control the number of drops per unit of time.

The Drop Dispenser can be held by a clamp and the clamp can be mounted on a rod stand.

Assembling the Drop Dispenser

1. Remove the plunger from the syringe.

2. Connect the two stopcocks together. Connect the stopcocks to the end of the syringe.
3. Connect the drop tip to the end of the stopcocks.



Operating the Drop Dispenser

Stopcock Valves

- The stopcocks are closed when the valve handles are at right angles to the body of the stopcock. The stopcocks are fully open when the valve handles are parallel to the body of the stopcock.
- Use the valve on the upper stopcock to regulate the number of drops per unit of time. Use the valve on the lower stopcock to start and stop the flow of liquid.

Drop Rate

- The drop rate must remain approximately constant (about 2 drops per second or fewer) in order for the drop size to remain constant.
- Before adjusting the drop rate, close the valve on the bottom stopcock and fill the syringe with liquid.
- Open the valve on the bottom stopcock to start the flow of liquid. Adjust the valve on the upper stopcock to regulate the number of drops per unit of time.

Other Sensors

The PS-2117 Drop Counter can hold up to three sensors. Sensors that would typically be used with the Drop Counter include the following:

| Sensor* | Model Number |
|---------------------------|--------------|
| pH Sensor | PS-2102 |
| Conductivity Sensor | PS-2116A |
| Temperature Sensor | PS-2125 |
| Chemistry Sensor | PS-2170 |
| Advanced Chemistry Sensor | PS-2172 |

*See the PASCO catalog or the PASCO web site at www.pasco.com for more information

Technical Support

For assistance with any PASCO product, contact PASCO at:

Address: PASCO scientific
10101 Foothills Blvd.
Roseville, CA 95747-7100

Phone: +1 916-786-3800 (worldwide)
800-772-8700 (U.S.)

E-mail: support@pasco.com

Web www.pasco.com

Limited Warranty For a description of the product warranty, see the PASCO catalog. **Copyright** The PASCO scientific *Instruction Sheet* is copyrighted with all rights reserved. Permission is granted to non-profit educational institutions for reproduction of any part of this manual, providing the reproductions are used only in their laboratories and classrooms, and are not sold for profit. Reproduction under any other circumstances, without the written consent of PASCO scientific, is prohibited. **Trademarks** PASCO, PASCO Capstone, PASPORT, SPARK Science Learning System, SPARK SLS, and SPARKvue are trademarks or registered trademarks of PASCO scientific, in the United States and/or in other countries. For more information visit www.pasco.com/legal.