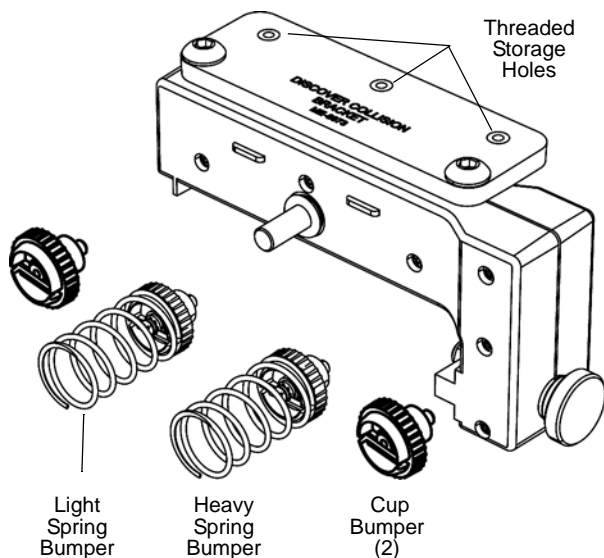


Discover Collision Bracket

ME-8973A



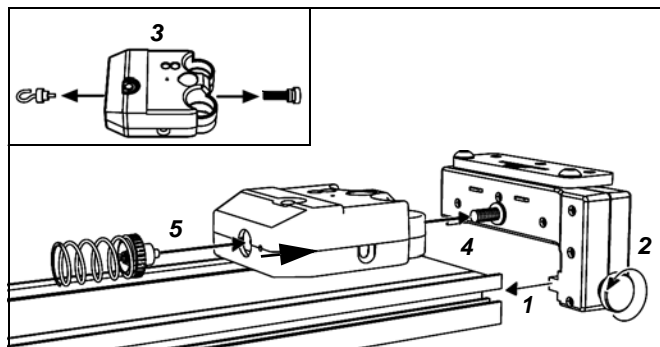
Introduction

The ME-8973A Discover Collision Bracket is designed to let a force sensor be mounted on a track as the proper height for collisions with a PASCO cart. It is compatible with PASCO tracks and small format force sensors such as the PS-2104 and CI-6746.

The bracket includes two elastic collision spring bumpers, and two inelastic collision bumpers that can be attached to a force sensor. (See the ME-9884 Bumper Accessory Set for replacement parts.)

Installation

Attach the bracket to the T-slot of a PASCO track. Attach a force sensor to the bracket. Attach a bumper to the force sensor.



1. Slide tab into T-slot on side of track. 2. Tighten thumbscrew to secure bracket. 3. Remove thumbscrew and hook from force sensor. 4. Attach force sensor to bracket. 5. Attach a spring bumper to force sensor.

Collisions

While recording data from the force sensor, roll a PASCO cart into the spring bumper. The sensor will measure the force and impulse of the elastic collision.

Included Items

Discover Collision Bracket

Light Spring Bumper

Heavy Spring Bumper

Cup Bumper (2)

Recommended Items*

PASCO Track and Cart

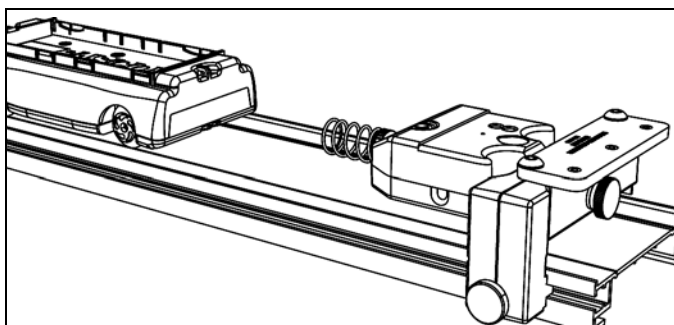
PASCO Interface and Software

PASCO Force Sensor

*See the PASCO catalog or the PASCO web site at www.pasco.com for more information.

Replacement Item*

Bumper Accessory Set ME-9884

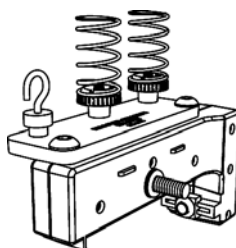


To test various materials, replace the spring bumper with a cup bumper filled with the test material.

For inelastic collisions, fill a cup bumper with clay or something similar that will allow the PASCO cart to stick to the material in the cup bumper.

Parts Storage

When not in use, the spring bumpers and one of the cup bumpers (or the hook from the force sensor) can be stored in the threaded storage holes on the bracket.



For Use with Older Tracks

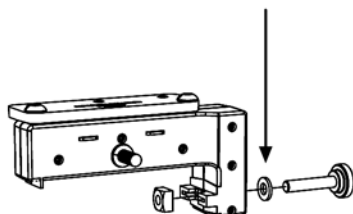
If you have an older PASCO track (see illustration), install the included flat washer to prevent the thumbscrew from “bottoming out”.



*Newer Track
(No washer needed)*



*Older Track
Lacks extra T-slot clearance.
Install washer on thumbscrew.*



More Information

For the latest information about the Discover Collision Bracket, visit the PASCO web site at www.pasco.com and enter “ME-8973A” in the Search window.

Technical Support

For assistance with any PASCO product, contact PASCO at:

Address: PASCO scientific
10101 Foothills Blvd.
Roseville, CA 95747-7100

Phone: +1 916-786-3800 (worldwide)
800-772-8700 (U.S.)

E-mail: support@pasco.com

Web: www.pasco.com

Limited Warranty For a description of the product warranty, see the PASCO catalog. **Copyright** The PASCO scientific *Instruction Sheet* is copyrighted with all rights reserved. Permission is granted to non-profit educational institutions for reproduction of any part of this manual, providing the reproductions are used only in their laboratories and classrooms, and are not sold for profit. Reproduction under any other circumstances, without the written consent of PASCO scientific, is prohibited. **Trademarks** PASCO, PASCO Capstone, PASPORT, SPARK Science Learning System, SPARK SLS, and SPARKvue are trademarks or registered trademarks of PASCO scientific, in the United States and/or in other countries. For more information visit www.pasco.com/legal.