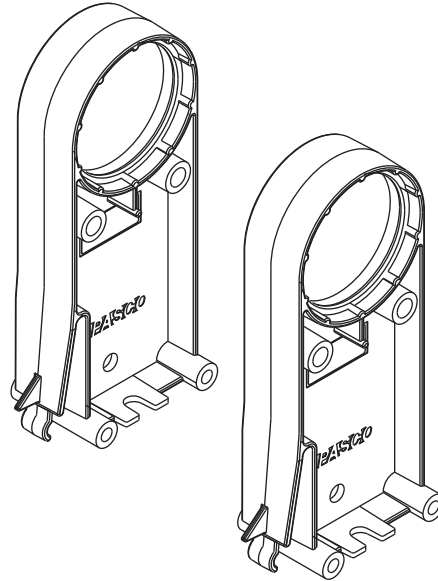


Basic Optics Geometric Lens Set

OS-8456



Included Equipment

- +100 mm Mounted Lens
- +200 mm Mounted Lens

Introduction

The Basic Optics Geometric Lens Set is designed for use with a PASCO optics system such as OS-8515C, or an optics bench such as OS-8541 or OS-8508.

Specifications

Diameter	50 mm
Focal Lengths	+100 mm \pm 10% and +200 mm \pm 10%

Technical Support

For assistance with any PASCO product, contact PASCO at:

Address: PASCO scientific
10101 Foothills Blvd.
Roseville, CA 95747-7100

Phone: 916-786-3800 (worldwide)
800-772-8700 (U.S.)

Fax: (916) 786-7565

Web: www.pasco.com

Email: support@pasco.com

Limited Warranty For a description of the product warranty, see the PASCO catalog.

Copyright The PASCO scientific 012-09887B *Basic Optics Geometric Lens Set Instruction Sheet* is copyrighted with all rights reserved. Permission is granted to non-profit educational institutions for reproduction of any part of this manual, providing the reproductions are used only in their laboratories and classrooms, and are not sold for profit. Reproduction under any other circumstances, without the written consent of PASCO scientific, is prohibited.

Trademarks PASCO and PASCO scientific are trademarks or registered trademarks of PASCO scientific, in the United States and/or in other countries. All other brands, products, or service names are or may be trademarks or service marks of, and are used to identify, products or services of, their respective owners. For more information visit www.pasco.com/legal.