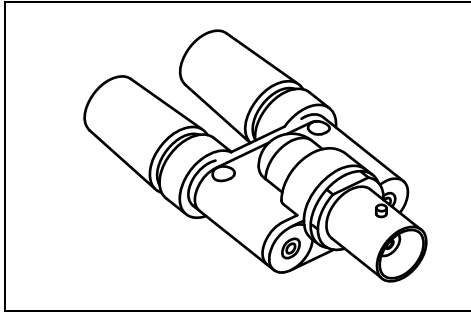


# BNC Adapter

Part of WA-9612 and WA-9613

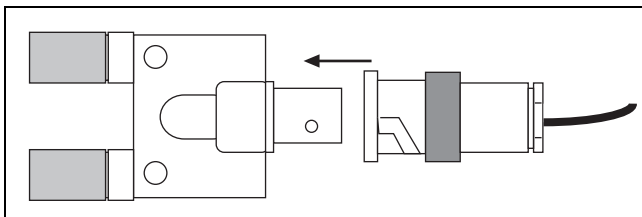


## Introduction

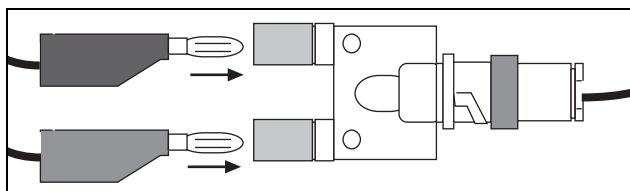
The PASCO BNC Adapter is included with the WA-9612 Resonance Tube and with the WA-9613 Driver/Detector Coils that are used with the WA-9611 Sonometer. The adapter is intended to allow you to connect the BNC plug of the miniature microphone of the Resonance Tube or the BNC plug of the Sonometer Detector Coil to banana plugs, such as those on a PASCO Voltage Sensor.

## Connecting the Adapter Plug

The adapter has a female BNC connector at one end, and dual banana jacks at the other. Slip the male BNC connector from the apparatus onto the female BNC connector on the adapter. Twist the male BNC connector one-quarter turn clockwise to lock it into place.



Insert the banana plug ends of a Voltage Sensor into the banana jacks of the adapter (black plug to black jack and red plug to red jack).



## Technical Support

For assistance with any PASCO product, contact PASCO at:

Address: PASCO scientific  
10101 Foothills Blvd.  
Roseville, CA 95747-7100

Phone: +1 916-786-3800 (worldwide)  
800-772-8700 (U.S.)

E-mail: [support@pasco.com](mailto:support@pasco.com)

Web [www.pasco.com](http://www.pasco.com)

**Limited Warranty** For a description of the product warranty, see the PASCO catalog. **Copyright** The PASCO scientific *Instruction Sheet* is copyrighted with all rights reserved. Permission is granted to non-profit educational institutions for reproduction of any part of this manual, providing the reproductions are used only in their laboratories and classrooms, and are not sold for profit. Reproduction under any other circumstances, without the written consent of PASCO scientific, is prohibited. **Trademarks** PASCO, PASCO scientific, PASCO Capstone, PASPORT, SPARK Science Learning System, SPARK SLS, and SPARKvue are trademarks or registered trademarks of PASCO scientific, in the United States and/or in other countries. For more information visit [www.pasco.com/legal](http://www.pasco.com/legal).