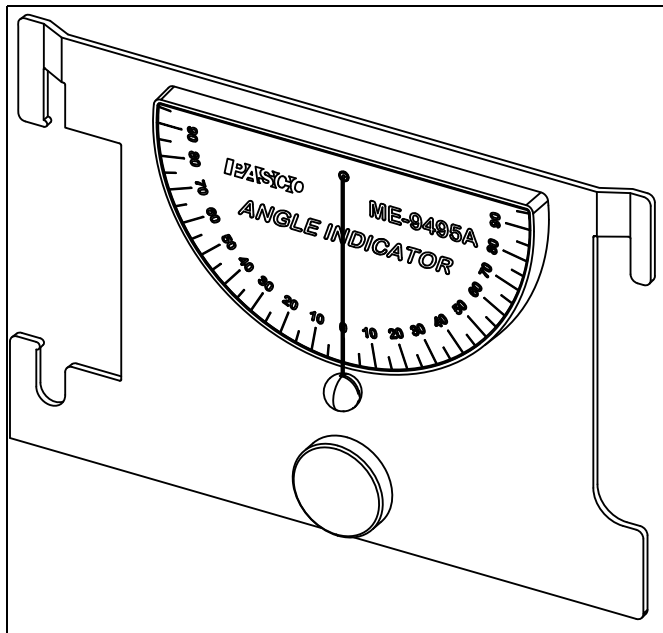
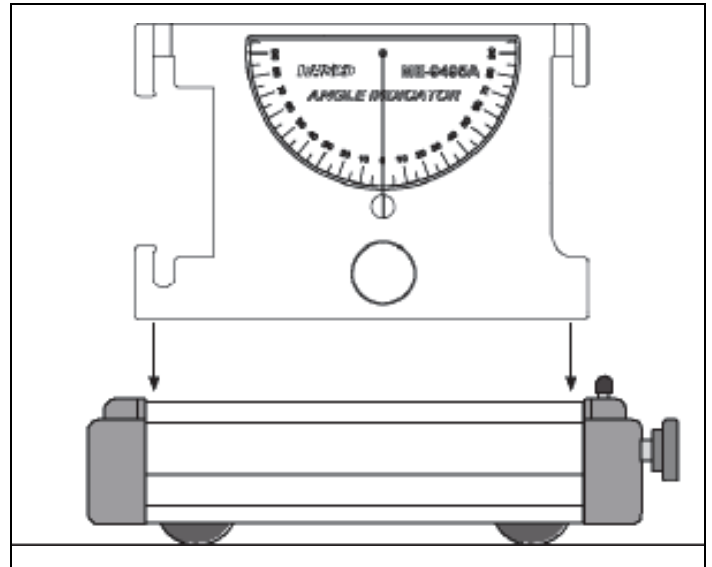


Angle Indicator

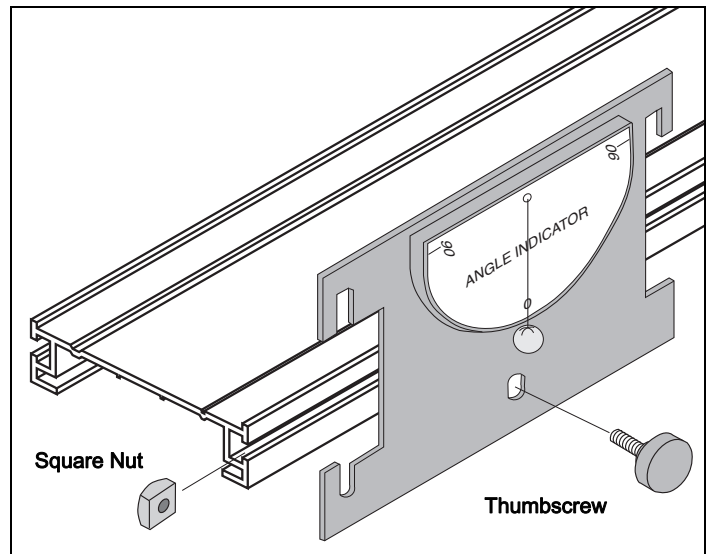
ME-9495A



- attached to a PASCO Cart by sliding the device into the slots on the top of the cart.



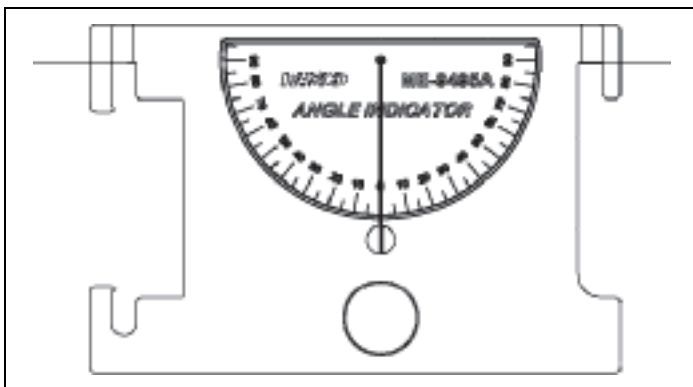
- attached to the side of a PASCO Track.



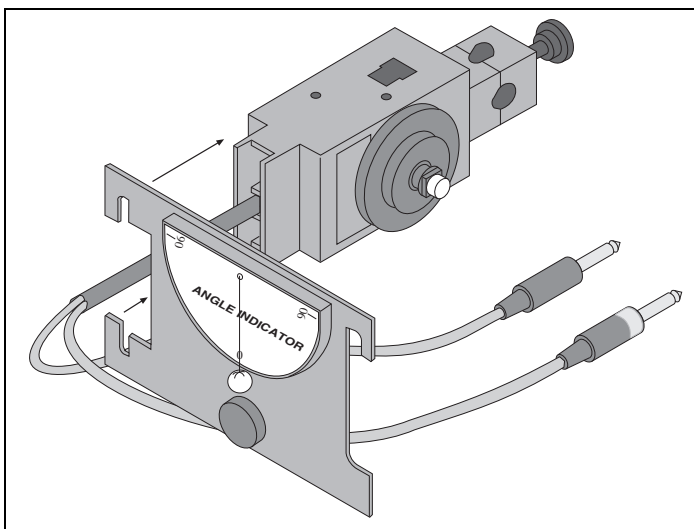
Introduction

The PASCO ME-9495A Angle Indicator is an accessory used for measuring angles from 0° to 90° in two directions. There are four different methods of using the Angle Indicator:

- hand-held, by suspending the device over a string.

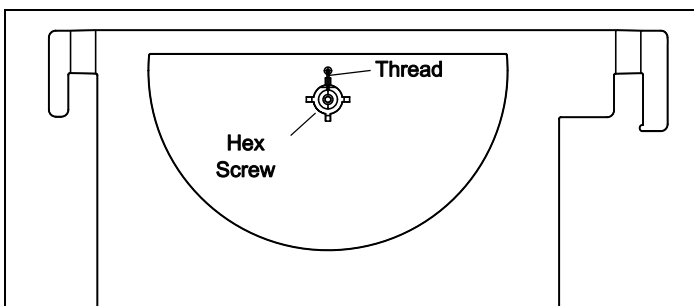


- slipped over the platform on the PASCO Rotary Motion Sensor.



Maintenance

The thread that supports the spherical weight is attached to the back of the Angle Indicator with a hex screw.



Loosen the hex screw in order to replace the thread.

Technical Support

For assistance with any PASCO product, contact PASCO at:

Address: PASCO scientific
 10101 Foothills Blvd.
 Roseville, CA 95747-7100

Phone: 916-462-8384 (worldwide)
 800-772-8700 (U.S.)

Web: www.pasco.com

Email: support@pasco.com

Replacement Parts

Check with Technical Support about possible replacement parts:

Item	
Brass weight	Hex screw
Thumbscrew	Nylon thread
Square nut	

More Information

For more information about the latest revision of this Instruction Manual, visit:

www.pasco.com/manuals

and enter the Product Number.

For information about any PASCO product, what software to use, and what other accessories are available, check the PASCO web site.

Warranty, Copyright, and Trademarks

Limited Warranty For a description of the product warranty, see the PASCO catalog. **Copyright** The PASCO scientific 012-10860C *Instruction Manual* is copyrighted with all rights reserved. Permission is granted to non-profit educational institutions for reproduction of any part of this manual, providing the reproductions are used only in their laboratories and classrooms, and are not sold for profit. Reproduction under any other circumstances, without the written consent of PASCO scientific, is prohibited. **Trademarks** PASCO and PASCO scientific are trademarks or registered trademarks of PASCO scientific, in the United States and/or in other countries. All other brands, products, or service names are or may be trademarks or service marks of, and are used to identify, products or services of, their respective owners. For more information visit www.pasco.com/legal.