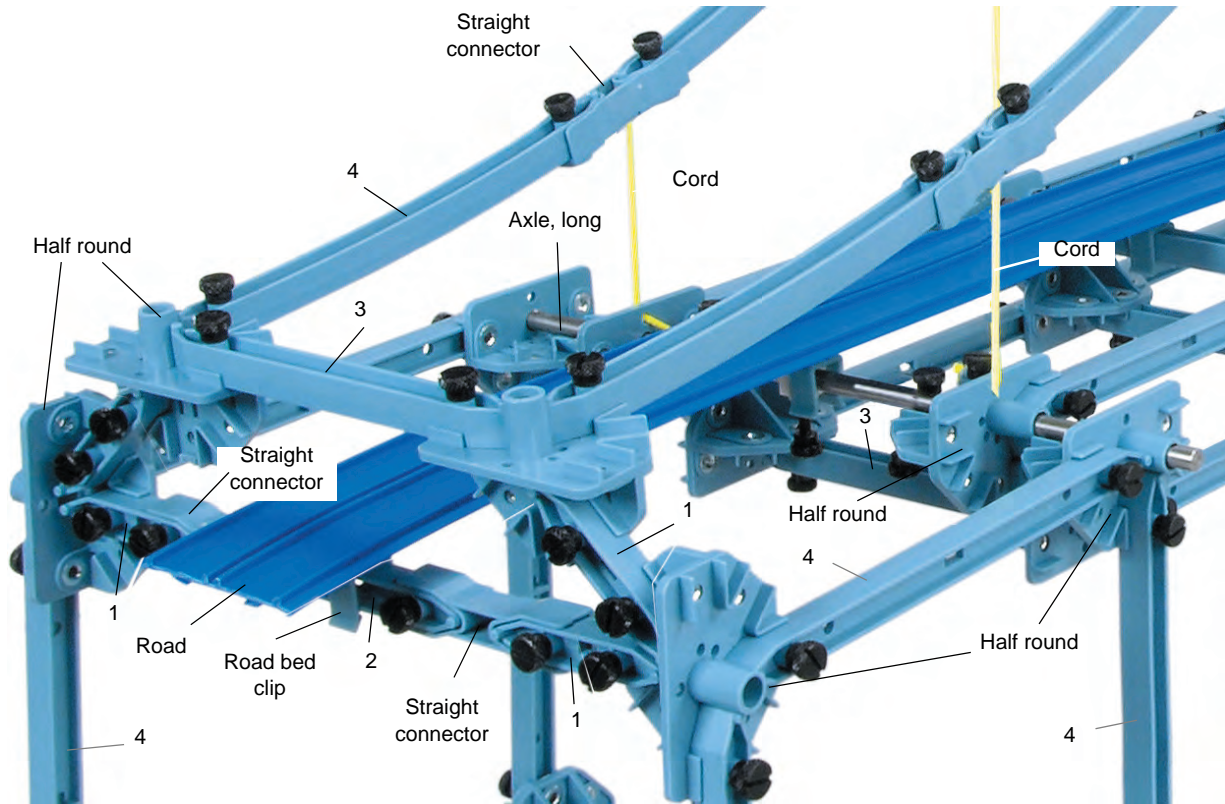
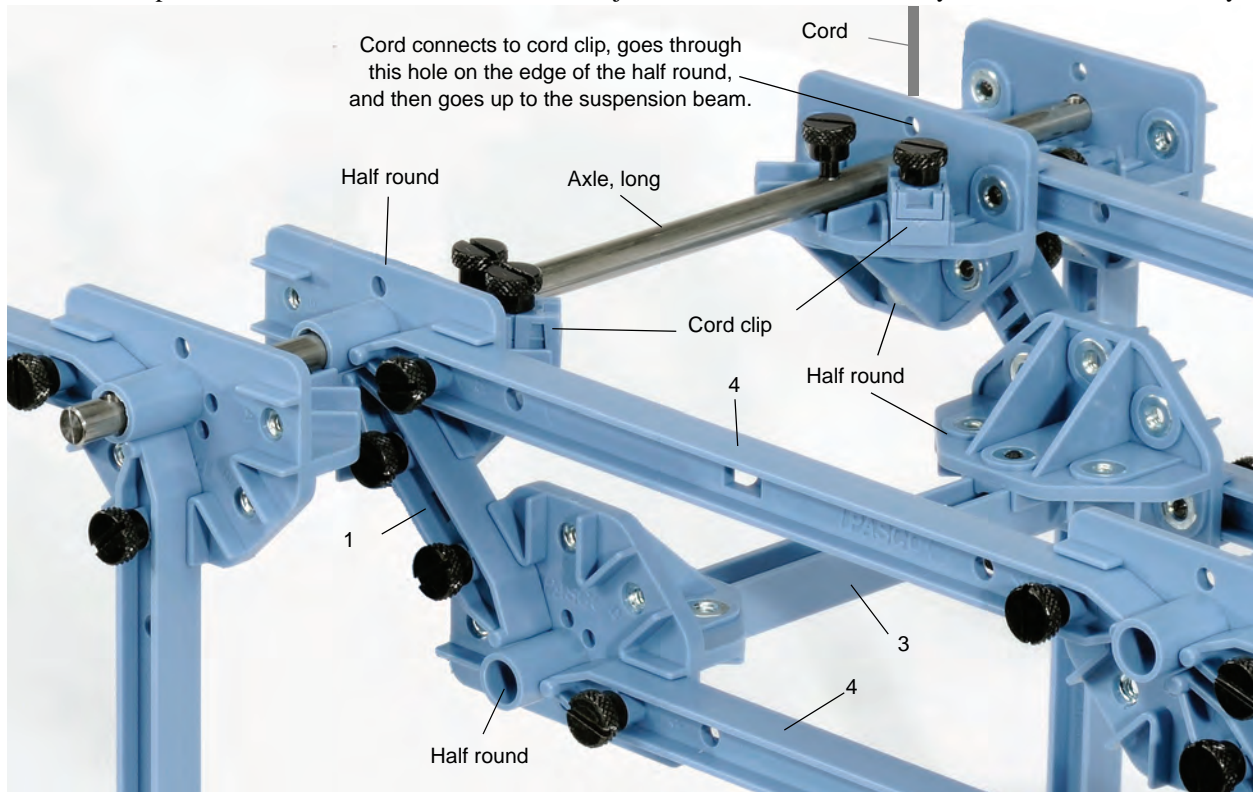


End Assembly

The following pages show details of the construction of the suspension bridge using parts from the ME-6992 Advanced Structures Set and the ME-6991 Bridge Set. This picture shows details of the end assembly.

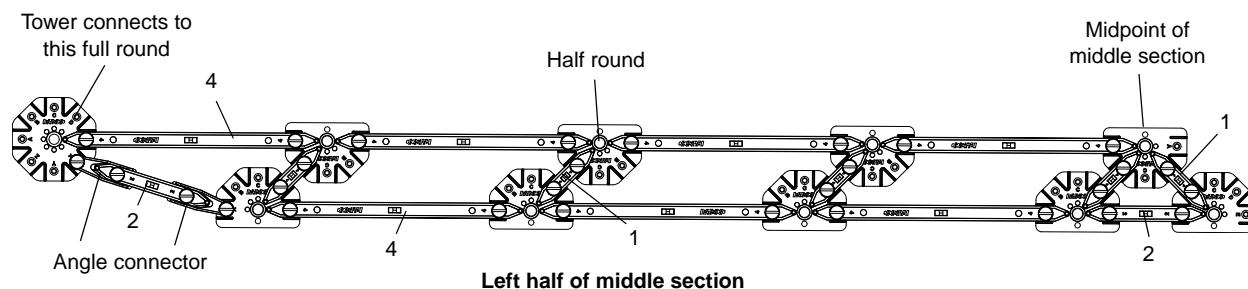


The next picture shows details of the axle that is the joint between the end assembly and the road bed assembly.



Road Bed Assembly

The middle section of the road bed assembly has eight #4 beams on the top of each side, and six #4 beams on the bottom of each side. The middle of the bottom part of the structure is joined by a #2 beam on both sides. The two sides are joined by #3 beams. The next picture shows details of *one half* of the middle section of the road bed assembly.



Technical Support

For assistance with any PASCO product, contact PASCO at:

Address: PASCO scientific
10101 Foothills Blvd.
Roseville, CA 95747-7100

Phone: 916-786-3800 (worldwide)
800-772-8700 (U.S.)

Fax: (916) 786-7565

Web: www.pasco.com

Email: support@pasco.com

For more information about the Suspension Bridge Details and the latest revision of this Instruction Manual, visit:

www.pasco.com/go?ME-6992

Limited Warranty For a description of the product warranty, see the PASCO catalog.

Copyright The PASCO scientific 012-10999A *Suspension Bridge Details Instruction Manual* is copyrighted with all rights reserved. Permission is granted to non-profit educational institutions for reproduction of any part of this manual, providing the reproductions are used only in their laboratories and classrooms, and are not sold for profit. Reproduction under any other circumstances, without the written consent of PASCO scientific, is prohibited.

Trademarks PASCO and PASCO scientific are trademarks or registered trademarks of PASCO scientific, in the United States and/or in other countries. All other brands, products, or service names are or may be trademarks or service marks of, and are used to identify, products or services of, their respective owners. For more information visit www.pasco.com/legal.

Patents Pending: The following PASCO products have patents pending:

ME-6990 Truss Set

ME-6991 Bridge Set

ME-6993 Truss Set Members

ME-6994 Truss Set Screws

ME-6995 Road Bed Spares

ME-6996 Cord Lock Spares

ME-6997 Full Round (XYZ) Connector Spares

ME-6998 Axle Spares

ME-6999 Angle Connector Spares

PS-2198 Load Cell Amplifier

PS-2199 Load Cell and Amplifier Set

PS-2200 100 N Load Cell

PS-2201 5 N Load Cell

PS-2205 Dual Load Cell Amplifier

ME-6992 Advanced Structures Set