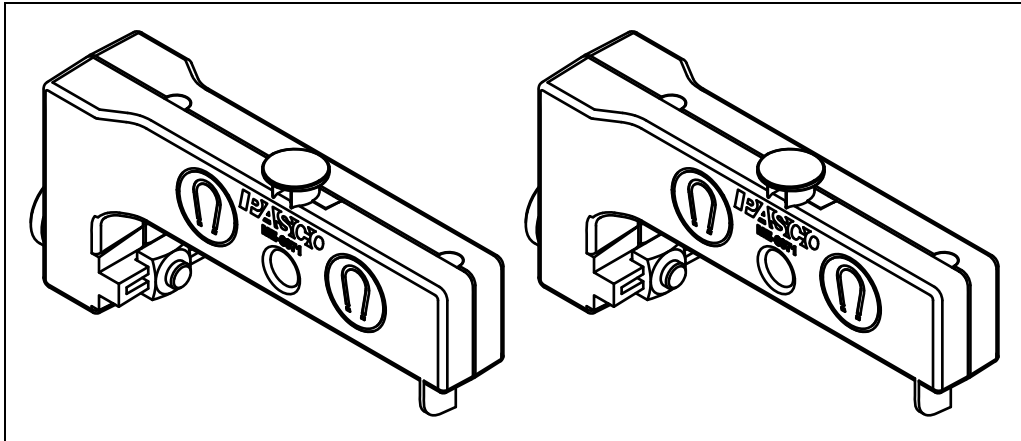


# Adjustable End Stop

ME-8971



## Introduction

PASCO model ME-8971 is a set of two end stops for use with PASCO tracks and carts. It is compatible with any aluminum or plastic PASCO track and with any PASCO cart such as the Plunger Cart or Smart Cart. See the PASCO catalog or the PASCO web site at

[www.pasco.com](http://www.pasco.com)

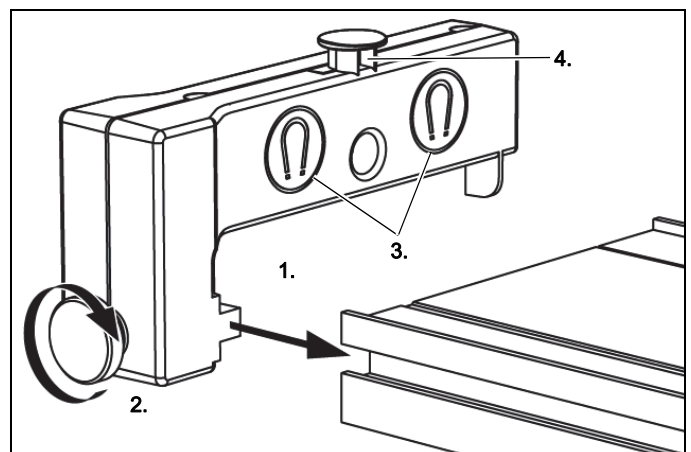
for information about other accessories such as springs, bumpers, pulleys, masses, and special attachments that are designed to be used with PASCO tracks and carts.

## Installation

Attach each end stop to the T-slot on the side of the tracks as illustrated. Slide the end stop to any position along the track and secure it by tightening the thumbscrew.

One side of the end stop contains magnets to repel the magnetic bumper of a cart. The stud on top of the end stop

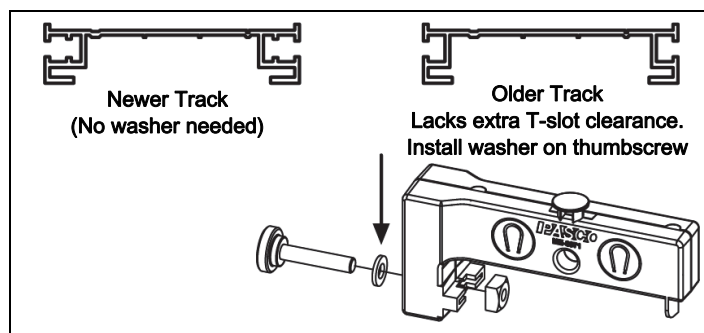
can be used for attaching a spring or string. The Hole is designed to be used with a Spring Cart Launcher (PASCO model ME-6843).



*1: Slide tab into T-slot on side of track. 2: Tighten thumbscrew to secure end stop. 3: Magnets repel cart's magnetic bumper. 4: Spring attachment stud*

## For Use with Older Tracks

If you have an older PASCO track (see illustration), install the included washers to prevent the thumbscrews from “bottoming out.”



## Cart and Track Dynamics Systems

Adjustable End Stops are included in bundles with tracks, carts, adjustable feet, a track pivot clamp, a friction block, and other accessories such as mass bars, springs, photogate brackets, “cart picket fences”, and a pulley with clamp.



For information about the suggested equipment and other items for use with the Adjustable End Stop, see the PASCO catalog or the PASCO web site at

[www.pasco.com](http://www.pasco.com)

## Technical Support

For assistance with any PASCO product, contact PASCO at:

Address: PASCO scientific  
10101 Foothills Blvd.  
Roseville, CA 95747-7100

Phone: 916-462-8384 (worldwide)  
800-772-8700 (U.S.)

Web: [www.pasco.com](http://www.pasco.com)

Email: [support@pasco.com](mailto:support@pasco.com)

## More Information

For more information about the latest revision of this Instruction Manual, visit:

[www.pasco.com/manuals](http://www.pasco.com/manuals)

and enter the Product Number.

For information about any PASCO product, what software to use, and what other accessories are available, check the PASCO web site.

## Warranty, Copyright, and Trademarks

**Limited Warranty** For a description of the product warranty, see the PASCO catalog. **Copyright** The PASCO scientific 012-09992B *Instruction Manual* is copyrighted with all rights reserved. Permission is granted to non-profit educational institutions for reproduction of any part of this manual, providing the reproductions are used only in their laboratories and classrooms, and are not sold for profit. Reproduction under any other circumstances, without the written consent of PASCO scientific, is prohibited. **Trademarks** PASCO and PASCO scientific are trademarks or registered trademarks of PASCO scientific, in the United States and/or in other countries. All other brands, products, or service names are or may be trademarks or service marks of, and are used to identify, products or services of, their respective owners. For more information visit [www.pasco.com/legal](http://www.pasco.com/legal).