

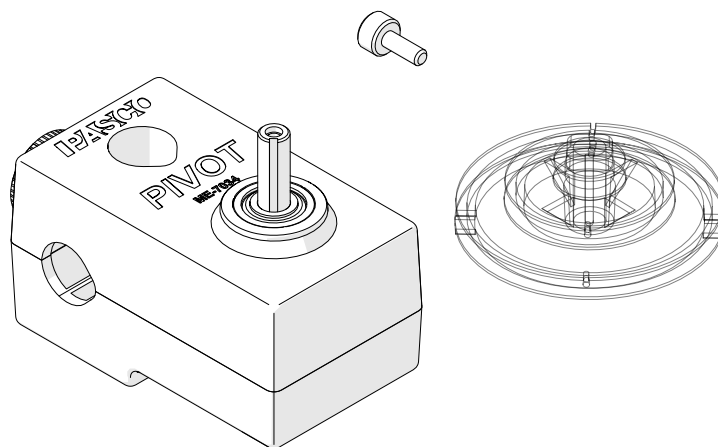
Pivot

ME-7034

The Pivot is designed to be used with the ME-7035 Torque Mass Hanger Set to perform rotational statics and rotational motion experiments. It can also be used as a non-sensor alternative to the Rotary Motion Sensor and is compatible with all of the Rotary Motion Sensor accessories.

What's Included

- Pivot
- Three-Step Pulley
- Thumbscrew



Required Equipment

- **Rod with Base or Clamp**
The Pivot can be mounted on a rod up to 0.5 inches (12.7 mm) in diameter. The rod can be mounted to a base or table clamp.

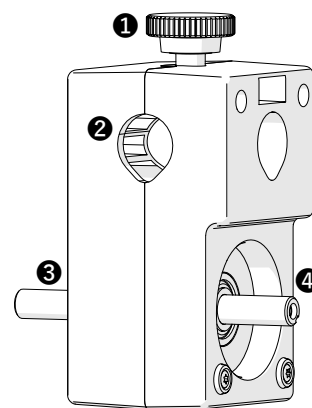
Recommended Accessories

See the product guides for each accessory on how to use the accessory with the Pivot.

- **ME-7035 Torque Mass Hanger Set**
Use this set with a meter stick to perform rotational statics and rotational motion experiments.
- **ME-8969 Pendulum Accessory**
Use to perform rotational inertia and physical pendulum experiments.
- **ME-3419 Ring and Disk Set**
Use to perform angular momentum experiments.

For additional available accessories, see the Buying Guide at pasco.com/product/ME-7034.

Pivot Components



- 1 Set Screw**
Use to secure the Pivot to a support rod.
- 2 Support Rod Holes**
Insert a rod to mount the Pivot to a rod stand. The Pivot can be mounted in horizontally or vertically.

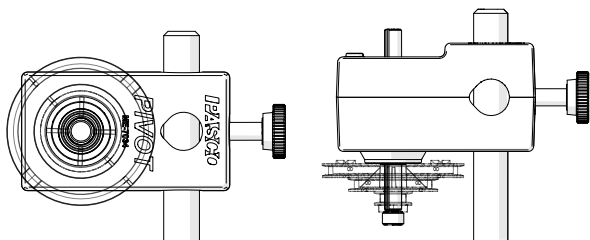
3 Non-recessed Side

Use this side to attach the three-step pulley and other Rotary Motion Sensor accessories.

4 Recessed Side

Use this side to attach the Meter Stick Clamp from the ME-7035 Torque Mass Hanger Set.

Mounting the Pivot



The Pivot has two support rod holes that fit rods up to 0.5 inches (12.7 mm) in diameter. It is possible to mount the Pivot horizontally on a support rod with the Three-step Pulley facing up or facing sideways. You can mount the Pivot vertically with the pulley facing forward.

Experiments

Print-ready experiment worksheets are available to download from the PASCO website. Go to pasco.com/freelabs and enter ME-7034 in the Part No. field.

Additional Information

Visit pasco.com/product/ME-7034 for additional information about the Pivot including:

- Recommended Accessories
- Replacement Items
- Specifications
- Knowledge Base Articles

Technical Support

Contact PASCO Technical Support for assistance with this or any other PASCO product.

Phone 1-800-772-8700 (Option 4)
+1 916 462 8384

Online pasco.com/support

Warranty, Copyright, and Trademarks

Limited Warranty

For a description of the product warranty, see the Warranty and Returns page at www.pasco.com/legal.

Copyright

This document is copyrighted with all rights reserved. Permission is granted to non-profit educational institutions for reproduction of any part of this manual, providing the reproductions are used only in their laboratories and classrooms, and are not sold for profit. Reproduction under any other circumstances, without the written consent of PASCO scientific, is prohibited.

Trademarks

PASCO and PASCO scientific are trademarks or registered trademarks of PASCO scientific, in the United States and/or in other countries. All other brands, products, or service names are or may be trademarks or service marks of, and are used to identify, products or services of, their respective owners. For more information visit www.pasco.com/legal.