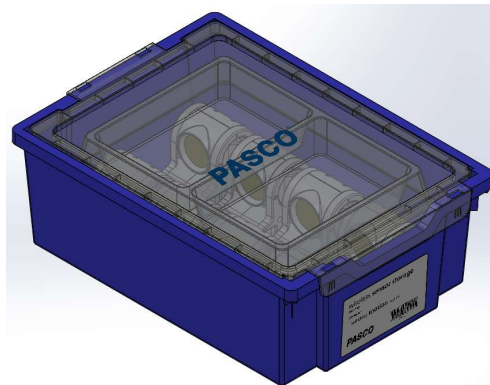


PS-3589 WI Sensor Storage Tray for PS-3219 Motion Sensors

Included Items	Part Number
Gratnells Tray Label	646-16345
Gratnells Tray Lid	699-15383
Gratnells Tray	699-271
Vacuum-Formed Tray	740-15810
Foam Piece	740-16299



Product Description

The PS-3589 is a custom storage system designed for the PS-3219 Wireless Motion Sensor. The storage tray holds up to eight (8) sensors and accessories.

Step 1

Installing Label

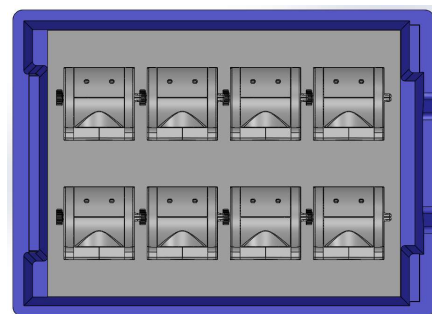
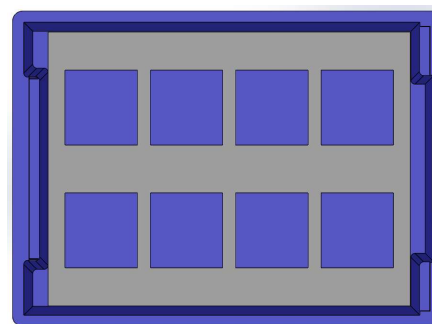
Center the label side to side and place label about a ¼" up from the bottom edge on the storage tray as shown in picture.

Step 2

Sensor Group

Place the foam piece into bottom of tray.

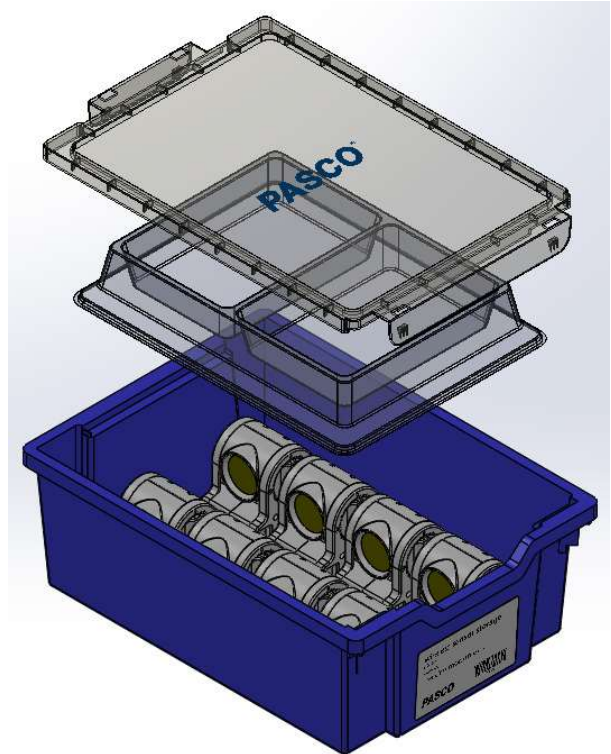
Place up to eight (8) Motion sensors into the foam as shown.



Step 3

Miscellaneous Items Tray

Place the vacuum-formed tray on top of the sensors.
This tray is for miscellaneous items like the USB charging cables, sensor instructions, etc.



Step 4

Tray Lid

Orient and snap tray lid onto tray as shown in picture.

Technical Support

For assistance with PASCO products, contact PASCO at:

Address: PASCO scientific
10101 Foothills Blvd.
Roseville, CA 95747-7100

Phone: 916-462-8384

Web: www.pasco.com

Email: support@pasco.com



Warranty, Copyright, and Trademarks

Limited Warranty For a description of the product warranty, see the PASCO catalog.

Copyright The PASCO scientific 012-16522A Item Name Instruction Sheet is copyrighted with all rights reserved. Permission is granted to non-profit educational institutions for reproduction of any part of this manual, providing the reproductions are used only in their laboratories and classrooms, and are not sold for profit. Reproduction under any other circumstances, without the written consent of PASCO scientific, is prohibited.

Trademarks PASCO and PASCO scientific are trademarks or registered trademarks of PASCO scientific, in the United States and/or in other countries. All other brands, products, or service names are or may be trademarks or service marks of, and are used to identify, products or services of, their respective owners. For more information visit www.pasco.com/legal.